



HYDRA-GRIP BUCKET PRODUCT MANUAL & INSTALLATION KIT

THANK YOU FOR YOUR PURCHASE You have received a high quality, extremely versatile attachment that will increase your machine's capability. The multi-purpose is a versatile-durable tool. This attachment increases the tasks a single machine can perform; reducing the number of dedicated task machines needed on a job site.

TELL US WHAT YOU THINK Werk-Brau would like what you think about its products. Please visit our website & share your experience with us!

**PRODUCT MANUAL
&
INSTALLATION KIT**



**WERK-BRAU
Co., Inc.**

2800 FOSTORIA AVE.
FINDLAY, OH 45840

WWW.WERK-BRAU.COM

*YOUR PARTNER IN
PRODUCTION*

IMPORTANT This instruction manual describes the installation, operation, and maintenance for a Werk-Brau attachment. Please take the time to record the information listed below.

Serial No.: _____

Model No.: _____

Date Manufactured: _____

ABOUT WERK-BRAU Since 1947, Werk-Brau has manufactured the highest quality and most innovative specialty products for the heavy equipment industry. Werk-Brau is respected internationally for providing outstanding customer service and being dedicated to excellence in all aspects of our business. Duke Werkheiser and Dutch Brautigan, for whom the company is named after, first opened their blacksmith shop in Findlay Ohio. Still today Werk-Brau manufactures and produces in Findlay Ohio, in a state of the art facility.

Over the decades Werk-Brau has grown and become so much more than a simple blacksmith operation. Today Werk-Brau proudly employs an industry leading team of professionals who work hard to follow the vision set by the founders of Werk-Brau to "Provide Excellence in Customer Service". As a modern company Werk-Brau is efficient, high-tech, dedicated to its customers, and deeply proud of the quality of products manufactured.

Werk-Brau manufactures a complete line of O.E.M. and replacement attachments for excavators, mini excavators, backhoes, mini and full size loaders and crawler loaders. All over the world Werk-Brau attachments can be found hard at work in the toughest of conditions.

THANK YOU FOR YOUR PURCHASE!

WORK SAFE

STOP!!!

Do not proceed further without fully understanding this page

Before welding an attachment or operating any attachment clearance checks must be made. This means cautiously putting the machine and attachment through all movements. This is at the responsibility of the attachment installer. In some cases clearance issues are unavoidable so the operator must be made aware prior to operating the machine. If your attachment did not come with a decal for this possible interference please contact your Werk-Brau representative to help assist. Werk-Brau is not responsible for clearance issues or damage caused by attachment interference.

For all hydraulic attachments ensure that the machine's pressure is at the recommended setting.

SAFETY STATEMENT GUIDE



→ Danger tags are used in major hazard situations where an immediate hazard presents a threat of death or serious injury to operator and anyone about.



→ Warning tags are used to represent a hazard level between “Caution” and “Danger”, instead of the required “Caution” tag, provided that they have a signal word of “Warning,” an appropriate major message.



→ Caution tags are used in minor hazard situations where a non-immediate or potential hazard or unsafe practice presents a lesser threat of injury.



→ A notice label is used where equipment or property damage could result if the instructions are not followed properly.



→ This symbol by itself or used with a safety signal word throughout this manual is used to call your attention to instructions involving your personal safety or the safety of others. Failure to follow these instructions can result in injury or death.

GENERAL SAFETY PRECAUTIONS



READ MANUAL PRIOR TO INSTALLATION Improper installation, operation, or maintenance of this equipment could result in serious injury or death. Operations and maintenance personnel should read this manual as well as manuals related to equipment and the operating



READ AND UNDERSTAND ALL SAFETY STATEMENTS Read all safety decals and safety statements in all manuals prior to operating or working on the equipment. Know and obey all OSHA regulations, local laws and other professional guidelines for your operation. Know and follow good work practices when assembling, maintaining, repairing, mounting, removing or operating this equipment.



KNOW YOUR EQUIPMENT Know your equipment’s capabilities, dimensions and operations before operating. Visually inspect your equipment before you start, and never operate equipment that is not in proper working order with all safety devices intact. Check all hardware to assure it is tight. Make certain that all locking pins, latches, and connection devices are properly installed and secured. Remove and replace any damaged, fatigued or excessively worn parts. Make certain all safety decals are in place and are legible. Keep decals clean, and replace them if they become worn and hard to read.



PROTECT AGAINST FLYING DEBRIS Always wear proper safety glasses, goggles with a face shield when driving pins in or out or when any operation causes dust, flying debris, or any other hazardous material.



LOWER OR SUPPORT RAISED EQUIPMENT Do not work under raised booms without supporting them. Do not use support material made of concrete blocks, logs, buckets, barrels or any other material that could suddenly collapse or shift positions. Make sure support material is solid, not decayed, warped, twisted, or tapered. Lower the boom(s) to ground level or onto block(s). Lower the boom(s) and attachment(s) to the ground before leaving the cab or operator’s station.



USE CARE WITH HYDRAULIC FLUID PRESSURE Hydraulic fluid under pressure can penetrate the skin and cause serious injury or death. Hydraulic leaks under pressure may not be visible.

Before connecting or disconnecting hydraulic hoses, read your operating machines operator’s manual for detailed instructions on connecting and disconnecting hydraulic hoses or fittings.

- Keep unprotected body parts, such as face, eyes, and arms as far away as possible from a suspected leak. Flesh

injected with hydraulic fluid may develop gangrene or other permanent disabilities. Wear safety glasses, protective clothing, and use a sound piece of cardboard or wood when searching for hydraulic leaks. **DO NOT USE YOUR HANDS!**

- If injured by injected fluid, see a doctor at once. If your Doctor is not familiar with this type of injury, ask him to research immediately to determine proper treatment.



DO NOT MODIFY MACHINE OR ATTACHMENTS Modifications may weaken the integrity of the attachment and may impair the function, safety, life and performance of the attachment. When making repairs, use only the manufacturer's genuine parts, following authorized instructions. Other parts may be substandard in fit and quality. For loaders, never modify any ROPS (Roll Over Protection System) equipment or device. **ANY MODIFICATIONS MUST BE AUTHORIZED IN WRITING BY THE WERK-BRAU OR THE MANUFACTURER.**



SAFELY OPERATE THE EQUIPMENT Do not operate equipment until you are completely trained by a qualified operator in how to use the controls, know its capabilities, dimensions, and all safety requirements. See your operating machines manual for these instructions.



- Keep all step plates, grab bars, pedals, and controls free of dirt, grease, debris, and oil.
- Be sure that all bystanders are out of harms way when operating.
- Do not allow riders on the attachment or operating machine
- Do not operate the equipment from anywhere other than the correct operators position.
- Never leave equipment unattended with the engine running or with this attachment in a raised position.
- Do not alter or remove any safety feature from the operating machine or this attachment.
- Know your work site safety rules as well as traffic rules and flow. When in doubt on any safety issue, contact your supervisor or safety coordinator for an explanation.



SAFELY MAINTAIN AND REPAIR EQUIPMENT

- Do not wear loose clothing, or any accessories that can catch in moving parts. If you have long hair, cover or secure it so that it does not become entangled in the equipment.
- Work on a level surface in a well-lit area.
- Use properly grounded electrical outlets and tools.
- Use the correct tool for the job at hand. Make sure tools are in good condition.
- Wear all protective equipment specified by the tool manufacturer.

OPERATING PRECAUTIONS



DO NOT IMPROPERLY USE ATTACHMENT This coupler is designed to grab objects and debris and not for any other use.



BE AWARE OF SURROUNDING UTILITIES Operator must be aware of all utility line and overhead electrical lines. Operations must be able to clear all lines safely.



BE AWARE OF OVERHEAD DANGER Operator must be aware of all possible overhead dangers that are within the range of motion of the operating machine.



DO NOT OPERATE WITH A LOOSE ATTACHMENT Visually check the coupler to verify attachments are secure and lock is fully engaged and that the center to center of the attachment matches the up with the coupler.



PINCH POINTS Personal injury could result from the careless misuse of this coupler. Keep hands and body parts clear of the coupler when it's in the process of hooking up to an attachment. Be sure the machine is off and the attachment is on the ground prior to making adjustments.

TORQUE SPECIFICATIONS

Please observed these approved specs. Failure to observe these specs can result in damage and other undesirable results.

Dash Size	Tube O.D. (Ref)	Thread Size	Torque Values Ft. Lbs.			
			37° Flare		Straight Thread	
			Ft. Lbs.	Nm.	Ft. Lbs.	Nm.
4	1/4	7/16-20	10-12	14-16	15-19	20-25
5	5/16	1/2-20	13-16	18-21	20-25	27-33
6	3/8	9/16-18	20-25	27-33	32-40	45-54
8	1/2	3/4-16	34-42	46-56	54-67	73-90
10	5/8	7/8-14	46-58	62-78	74-92	100-124
12	3/4	1-1/16-12	64-80	87-108	102-128	138-173
14	7/8	1-3/16-12	80-100	109-135	128-160	173-216
16	1	1-5/16-12	97-117	131-158	150-187	203-253
20	1-1/4	1-5/8-12	145-165	197-223	227-264	308-357
24	1-1/2	1-7/8-12	230-250	312-338	363-400	492-542

**Apply enough pipe sealer to contact all threads.*

***Do not use that excess will squeeze into the hydraulic lines.*

HYDRAULIC INSTRUCTIONS

ALWAYS BE SURE TO DOUBLE CHECK HYDRUALICS Make sure all hydraulic lines and fittings are tight and secure before starting the machine. In the event of a hydraulic problem or failure, discontinue use of the attachment immediately.

STORAGE

- Clean the unit thoroughly, removing all mud, dirt, and grease.
- Inspect for visible signs of wear, breakage, or damage. Order any parts required and make the necessary repairs to avoid delays upon removal from storage.
- Tighten loose nuts, cap screws and hydraulic connections.
- Coat exposed portions of the cylinder rods with grease.
- Lubricate grease fittings.
- Seal hydraulic system from contaminants and secure all hydraulic hoses off the ground to help prevent damage.
- Replace decals that are damaged or in unreadable condition.
- Store unit in a dry and protected place. Leaving the unit outside will materially shorten its life. Additional

PRECAUTIONS FOR LONG TERM STORAGE

- Touch up all unpainted surfaces with paint to prevent rust. REMOVAL FROM STORAGE
- Remove cover.
- Wash unit and replace any damaged and/or missing parts.
- Lubricate grease fittings.
- Check hydraulic hoses for damage and replace as necessary.

MAINTENANCE AND SERVICE

Procedure	Daily	Every 40 Hrs.
Check all bolts and nuts for tightness	X	
Replace any missing bolts or nuts with approved replacement parts	X	
Check hydraulic system for hydraulic oil leaks. See procedure below.	X	
Visually inspect the machine for worn parts or cracked welds, and repair as necessary.	X	
Lubricate all grease fittings		X

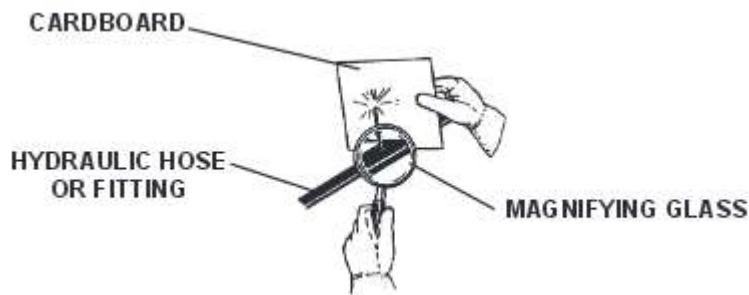
OIL CLEANLINESS REQUIREMENTS All hydraulic fluid shall be filtered before use in any FFC product to obtain the ISO cleanliness standard of 20/18/15. Unless explicitly specified otherwise.

FITTINGS/HOSES INSPECTION GUIDELINES Stop the prime mover engine and release hydraulic pressure before servicing or adjusting hydraulic system.

WARNING Escaping fluid under pressure can have sufficient force to penetrate the skin, causing serious personal injury. Fluid escaping from a very small hole can be almost invisible. Use a piece of cardboard or wood, rather than hands, to search for suspected leaks.

Keep unprotected body parts, such as face, eyes, and arms as far away as possible from a suspected leak. Flesh injected with hydraulic fluid may develop gangrene or other permanent disabilities.

If injured by injected fluid, see a doctor at once. If your doctor is not familiar with this type of injury, ask him to research it immediately to determine proper treatment.



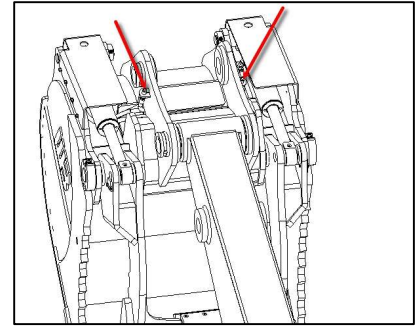
IMPORTANT When replacing parts, use only factory approved replacement parts. Manufacturer will not claim responsibility for use of unapproved parts or accessories, and/or other damages as a result of their use.

QUESTIONS

For replacement parts, questions, and other matters please call your local dealer. If you cannot reach a local dealer please call and we will be happy to find a dealer for you and answer any questions.

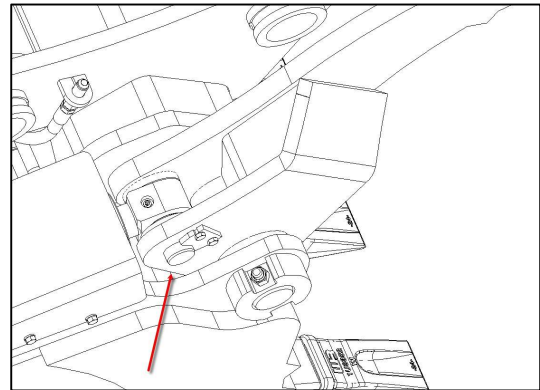
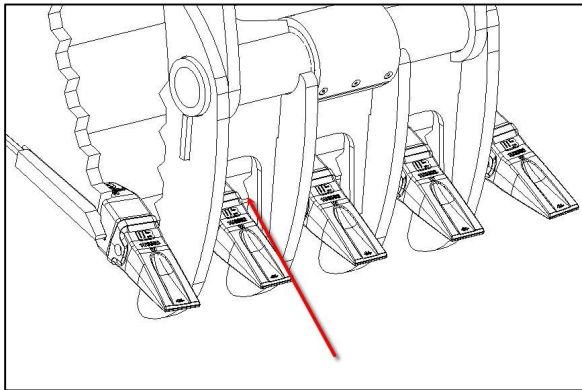
INSTALLATION

1. Use standard attachment procedures for attachment of the Hydra-Grip bucket to the machine
2. The attachments come with hose kits that end in a capped male fitting installed on the side of the bucket ears (see image on right). The size of the fitting for your machine jumper hoses, as well as hydraulic and pressure conditions can be determined using the below table.



BUCKET CLASS	CYLINDER BORE	BULKHEAD FITTING SIZE	MAX OPERATING PRESSURE	SUGGESTED FLOW RATE	OPEN TO CLOSE TIME
E12GC2B	3.00"	-08 JIC MALE	3500 PSI	~ 8-10 GPM	1.5s – 2.5s
E20GC2B	3.50"			~ 12-15 GPM	
E25GC2B				~ 12-15 GPM	
E30GC2B				~ 20-25 GPM	
E40GC2B	4.00"			~ 20-25 GPM	

3. Route jumper hoses from the provided fitting to the machines auxillary hydraulic circuit.
4. Tighten all hydraulic fittings before testing operation
5. With hydraulics attached, slowly move the bucket through its entire range of motion checking for any interferences and pinch points on the auxillary hydraulic lines that were installed.
6. Fully open and close the thumb making sure the grapple hits on both the open stops and the lower edge of the bucket and there are no points where hydraulic lines will become pinched.



DECAL


Included with the attachment is a decal for installation on the window of the cab. It should be located in an area that is easily visible to the operator, but does not impede visibility during standard operation

HYDRA-GRIP SAFETY

DAILY —

- ✓ Check cylinder pockets for debris
- ✓ Grease all joints

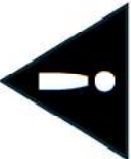
PROHIBITED USE —



NO Side Loading Thumb

NO Back Dragging with Thumb

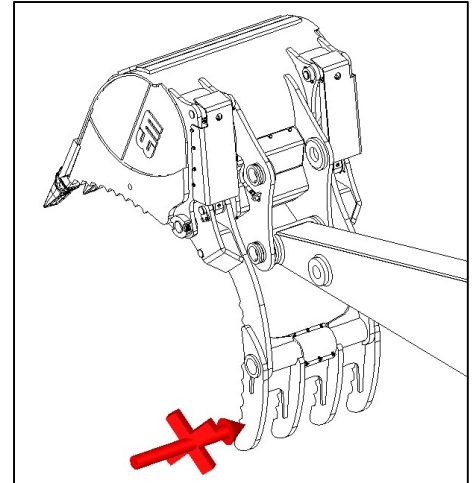
CAUTION —

 **FULLY CLOSE THUMB** before curling.
Open thumb may contact stick

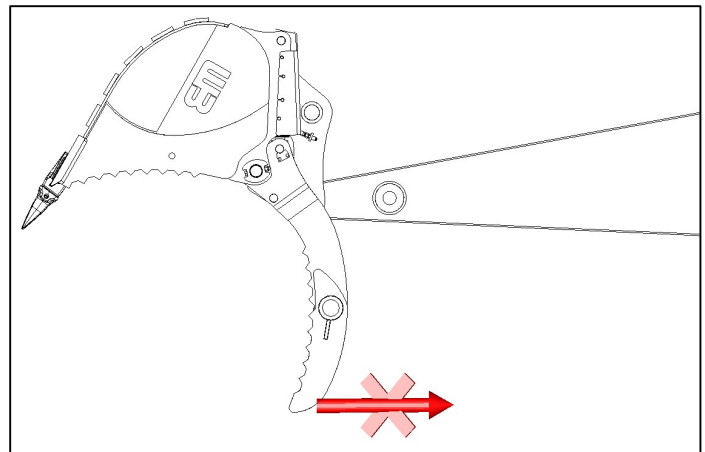
OPERATION CONSIDERATIONS

The integrated thumb on the bucket should be operated in a way similar to a standard machine thumb keeping the following in mind

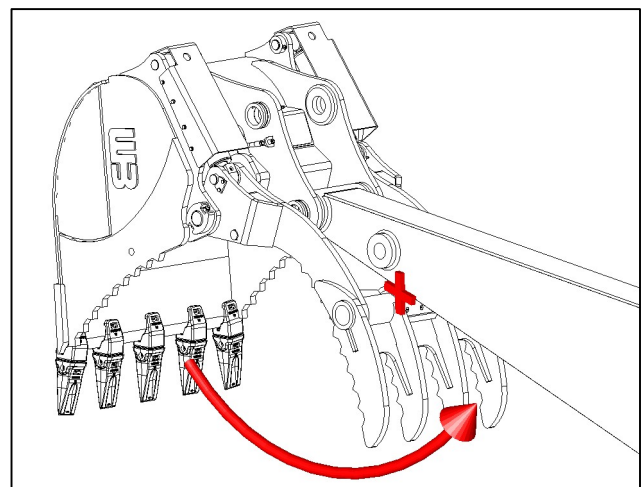
1. DO NOT side load the thumb body



2. DO NOT backdrag with the thumb body



3. Avoid rolling the thumb into the stick. During Operation the thumb should be retracted enough to avoid hitting the stick. Hitting the stick could possibly cause damage to the stick or the attachment. The replaceable guard on the thumb is designed to absorb impact to help reduce possible damage, but is not designed to be used during operation as a thumb stop.



4. Ensure cylinder pockets are free of debris. Debris could become packed and could cause possible damage to hydraulic fittings if not removed.

