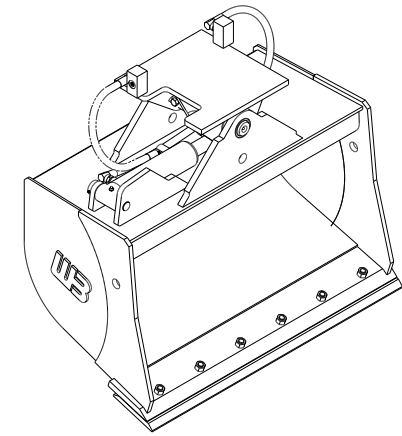
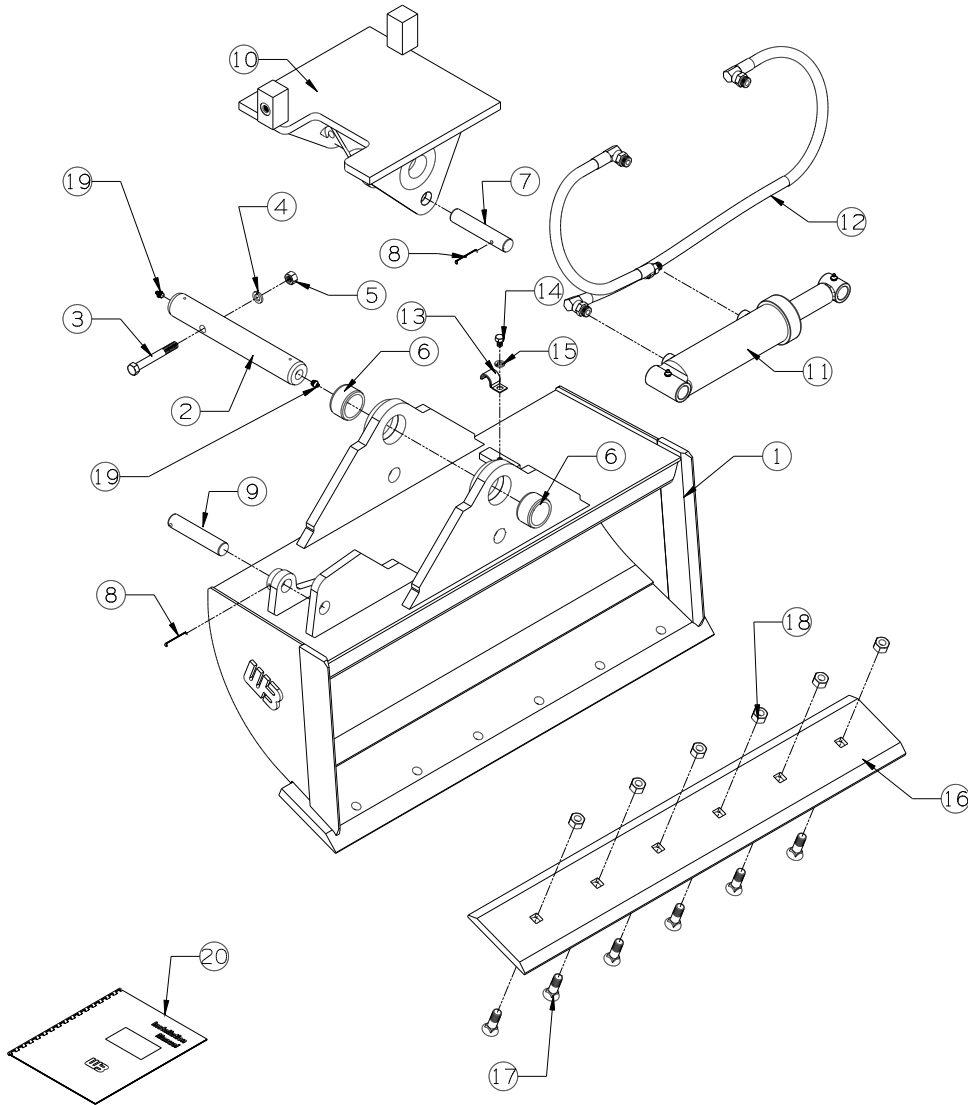


REV	DATE	CHANGE DESCRIPTION	BY	CHECKED
A	4-10-18	RELEASED TO PRODUCTION	JAS	-
B	9-14-18	CHANGED HOSE KIT TO WTB1-36-HK	AJZ	-
C	1-28-21	CHANGED HOSE KIT TO WTB1-HK	AJZ	-
D	5/11/22	UPDATED ITEMS 1, 10, 12	JGM	-



## WTB1-36-PACKLIST

#	DESCRIPTION	PART #	AMT
1	WELDED ASSEMBLY	WTB36-6.64( S/B )	1
2	PIVOT PIN	TIB-PP-07	1
3	1/2-13 X 4 BOLT	13207	1
4	1/2 LOCK WASHER	33626	1
5	1/2-13 UNC NUT	36310	1
6	PIVOT BUSHING	TIB-BP-05	2
7	CYLINDER PIN	TIB-CP-13	1
8	ROLL PIN	N/A	2
9	CYLINDER PIN	TIB-CP-14	1
10	TILT TOP	TIB-T1-10-C	1
11	CYLINDER	500010415	1
12	HOSE KIT	WTB05-HK	1
13	HOSE CLAMP	1BAB6	1
14	3/8-16 UNC X 3/4 BOLT	13103	1
15	3/8 LOCK WASHER	33622	2
16	BOLT ON CUTTING EDGE	WB30029	1
17	5/8 X 2 PLOW BOLTS	22685	6
18	5/8-11 UNC NUTS	36314	6
19	GREASE ZERK	60102	2
20	INSTRUCTIONS	INST-WTB	1



**WERK-BRAU CO., INC.**  
 2800 FOSTORIA AVE. P.O. BOX 545 FINDLAY, OHIO 45840-0545  
 www.werkbrau.com PHONE: 419-422-2912 FAX: 419-422-7207

INCH 1/X: ± 1/16 X: ± 1.50  
 .X: ± .1 X.X: ± 0.80  
 .XX: ± .01 X.XX: ± 0.25  
 .XXX: ± .005 ANGLE ± 0.5°  
 .XXXX: ± .0005 NOT TO SCALE

WELD SPEC: WELDS TO CONFORM TO P7.PRO6-WB ARC WELDING QUALITY STANDARD

DATE: 4-10-18

WEIGHT: - Lbs.

MACHINE: -

PART No.: WTB1-36

FILE NAME: WTB1-36.CKD

THIS PRINT AND THE INFORMATION CONTAINED HERE ON IS A CONFIDENTIAL DISCLOSURE, THE SUBJECT MATTER OF WHICH IS THE PROPERTY OF: WERK-BRAU CO., INC.

DRAWN:

**D**  
REVISION

