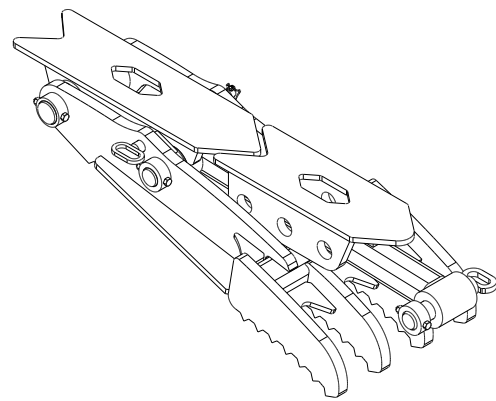
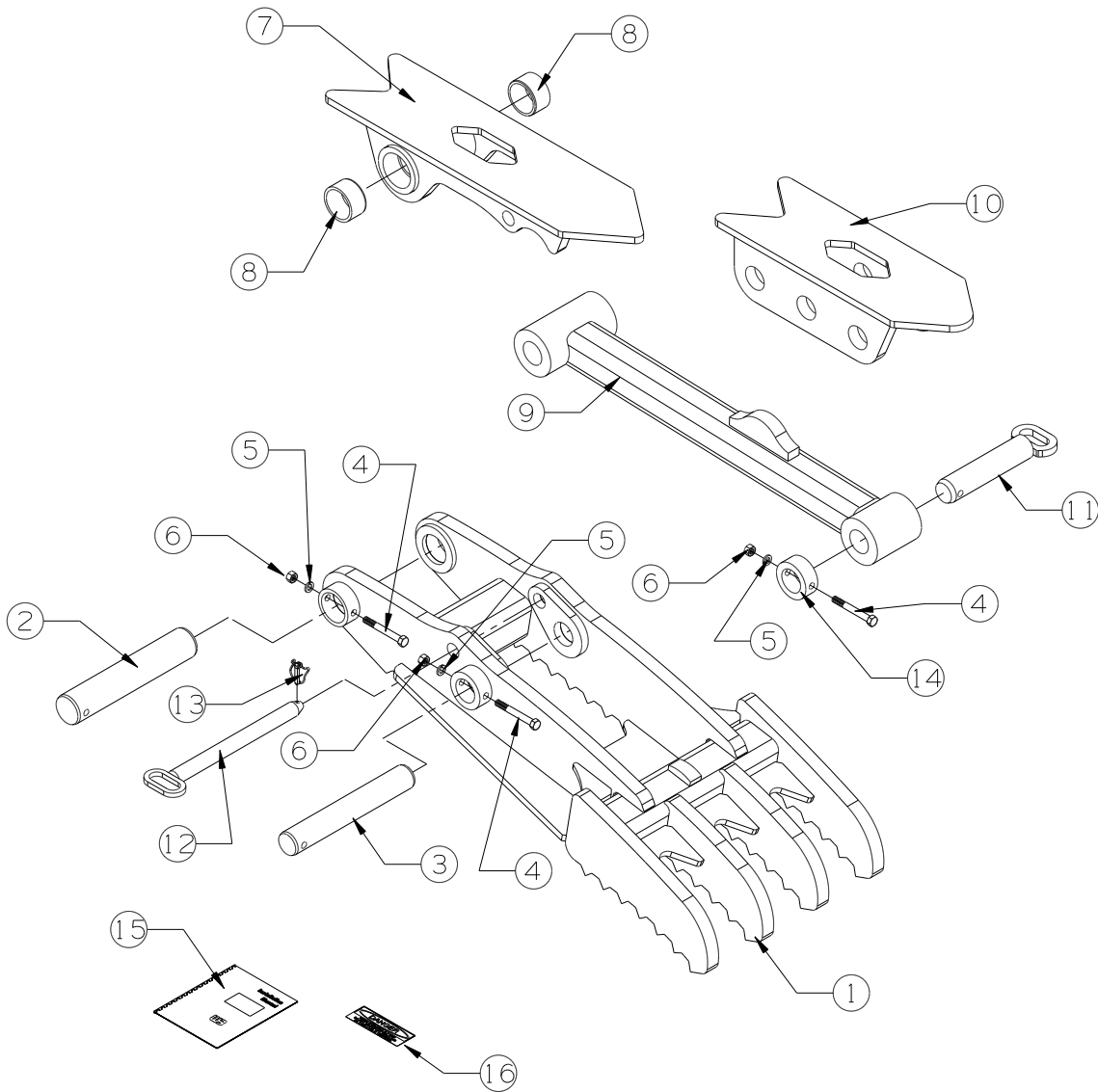


REV	DATE	CHANGE DESCRIPTION	BY	CHECKED
A	3-24-11	RELEASE FOR PRODUCTION	-	-
B	01-15-13	FIXED ARM/GRIP PIN TO EZRGF10-4-TC-13 (2.500"x16.25")	SJF	GJS
-	-	-	-	-
-	-	-	-	-
-	-	-	-	-
-	-	-	-	-



EZRGEX2-TC-PACKLIST

#	DESCRIPTION	PART #	AMT
1	WELDED ASSEMBLY	EZRGEX2-TC-***	1
2	PIVOT PIN	EZRGF10-30-07	1
3	ARM/GRIP PIN	EZRGF10-4-TC-13	1
4	5/8-11 UNC X 5 BOLT	13323	3
5	5/8 LOCK WASHER	33630	3
6	5/8-11 UNC NUT	36314	3
7	PIVOT MOUNT	EZRGEX2-TC-PMT	1
	ZERKS INSTALLED	Y/N	1
8	PIVOT BUSHINGS	EZRGF10-4-TC-15	2
9	RIGID ARM	EZRGEX2-TC-RM	1
10	RIGID MOUNT	EZRGEX2-TC-RMT	1
11	RIGID ARM PIN	EZRGEX2-TC-08	1
12	LOCK PIN	EZRGEX3-TC-18	1
13	LYNCH PIN	161397	1
14	PIN RETAINER	EZRGF10-4-TC-14	1
15	INSTRUCTIONS	-	1
16	DANGER STICKER	-	2

**-SPECIFIES TIP RADIUS

REV. #
B

WB WERK-BRAU CO., INC.
 2800 FOSTORIA AVE. P.O. BOX 545 FINDLAY, OHIO 45840-0545
 www.werkbrau.com PHONE: 419-422-2912 FAX: 419-422-7207

INCH METRIC
 1/16 X ± 1/16 X ± 1.50
 .X ± .1 X.X ± 0.80
 .XX ± .01 X.XX ± 0.25
 .XXX ± .005 ANGLE ± 0.5°
 .XXXX ± .0005 NOT TO SCALE

MACHINE: -

DWG. NO.: EZRGEX2-TC-PACKLIST.CKD

DRAWN: *gjs*

PART No.: EZRGEX2-TC-PACKLIST

DATE: 3-24-11

ORDER No/S.N.: -----/-----|1

THIS PRINT AND THE INFORMATION CONTAINED HERE ON IS A CONFIDENTIAL DISCLOSURE, THE SUBJECT MATTER OF WHICH IS THE PROPERTY OF: WERK-BRAU CO., INC.