



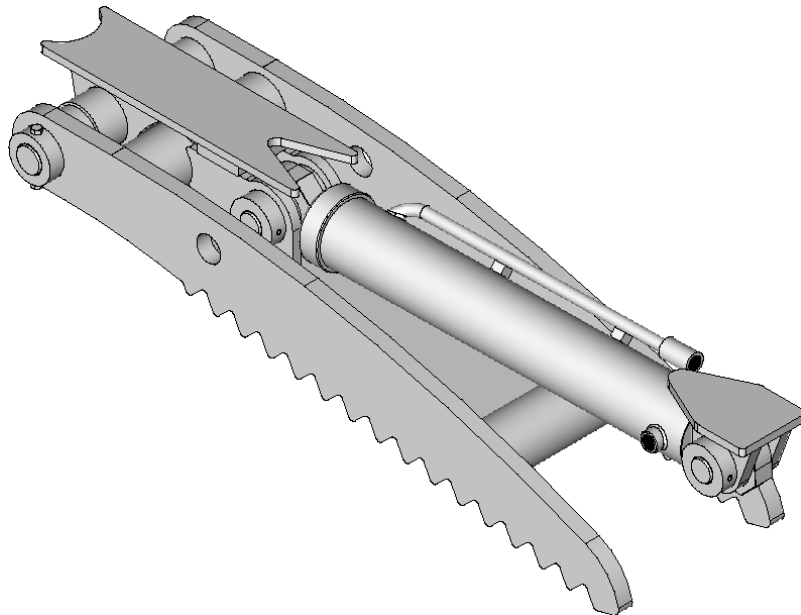
1-800-537-9561

Werk-Brau Co., INC

2800 Fostoria RD
PO Box 545
Findlay, Ohio 45839

Ph: 1-800-537-9561
Fax: 419-422-7207

www.Werk-Brau.com



This instruction manual describes the installation, operation, and maintenance for a Werk-Brau Grapple attachment. Please take the time to record the information listed below.

Serial No.: _____

Model No.: _____

Date Manufactured: _____

Introduction

Thank you for your purchase! You have received a high quality, extremely versatile attachment that will increase your machines capability. This product will help you manipulate material and debris. With inspections and proper care your attachment will last you a long time in a rugged environment.

NOTE: Pictures and diagrams thru out this manual may not be your exact Werk-Brau attachment. The pictures represent an action or a setup



Safety Statement Guide



→ Danger tags are used in major hazard situations where an immediate hazard presents a threat of death or serious injury to operator and anyone about.



→ Warning tags are used to represent a hazard level between “Caution” and “Danger”, instead of the required “Caution” tag, provided that they have a signal word of “Warning,” an appropriate major message.



→ Caution tags are used in minor hazard situations where a non-immediate or potential hazard or unsafe practice presents a lesser threat of injury.



→ A notice label is used where equipment or property damage could result if the instructions are not followed properly.



→ This symbol by itself or used with a safety signal word throughout this manual is used to call your attention to instructions involving your personal safety or the safety of others. Failure to follow these instructions can result in injury or death.

General Safety Precautions



READ MANUAL PRIOR TO INSTALLATION

Improper installation, operation, or maintenance of this equipment could result in serious injury or death. Operators and maintenance personnel should read this manual as well as all manuals related to this equipment and the operating machine thoroughly before beginning installation, operation, or maintenance. FOLLOW ALL SAFETY INSTRUCTIONS IN THIS MANUAL AND THE OPERATING MACHINES MANUAL.



READ AND UNDERSTAND ALL SAFETY STATEMENTS

Read all safety decals and safety statements in all manuals prior to operating or working on this equipment. Know and obey all OSHA regulations, local laws and other professional guidelines for your operation. Know and follow good work practices when assembling, maintaining, repairing, mounting, removing or operating this equipment.



KNOW YOUR EQUIPMENT

Know your equipment’s capabilities, dimensions and operations before operating. Visually inspect your equipment before you start, and never operate equipment that is not in proper working order with all safety devices intact. Check all hardware to assure it is tight. Make certain that all locking pins, latches, and connection devices are properly installed and secured. Remove and replace any damaged, fatigued or excessively worn parts. Make certain all safety decals are in place and are legible. Keep decals clean, and replace them if they become worn and hard to read.



PROTECT AGAINST FLYING DEBRIS



Always wear proper safety glasses, goggles with a face shield when driving pins in or out or when any operation causes dust, flying debris, or any other hazardous material.

LOWER OR SUPPORT RAISED EQUIPMENT

Do not work under raised booms without supporting them. Do not use support material made of concrete blocks, logs, buckets, barrels or any other material that could suddenly collapse or shift positions. Make sure support material is solid, not decayed, warped, twisted, or tapered. Lower the boom(s) to ground level or onto block(s). Lower the boom(s) and attachment(s) to the ground before leaving the cab or operator’s station.

General Safety Precautions - Continued



USE CARE WITH HYDRAULIC FLUID PRESSURE

Hydraulic fluid under pressure can penetrate the skin and cause serious injury or death. Hydraulic leaks under pressure may not be visible. Before connecting or disconnecting hydraulic hoses, read your operating machines operator's manual for detailed instructions on connecting and disconnecting hydraulic hoses or fittings.

- Keep unprotected body parts, such as face, eyes, and arms as far away as possible from a suspected leak. Flesh injected with hydraulic fluid may develop gangrene or other permanent disabilities. Wear safety glasses, protective clothing, and use a sound piece of cardboard or wood when searching for hydraulic leaks. **DO NOT USE YOUR HANDS!**
- If injured by injected fluid, see a doctor at once. If your Doctor is not familiar with this type of injury, ask him to research immediately to determine proper treatment.



DO NOT MODIFY MACHINE OR ATTACHMENTS

Modifications may weaken the integrity of the attachment and may impair the function, safety, life and performance of the attachment. When making repairs, use only the manufacturer's genuine parts, following authorized instructions. Other parts may be substandard in fit and quality. For loaders, never modify any ROPS (Roll Over Protection System) equipment or device.

!!!Any modifications must be authorized in writing by the Werk-Brau or the manufacturer!!!



SAFELY OPERATE THE EQUIPMENT

Do not operate equipment until you are completely trained by a qualified operator in how to use the controls, know its capabilities, dimensions, and all safety requirements. See your operating machines manual for these instructions.

- Keep all step plates, grab bars, pedals, and controls free of dirt, grease, debris, and oil.
- Be sure that all bystanders are out of harms way when operating.
- Do not allow riders on the attachment or operating machine
- Do not operate the equipment from anywhere other than the correct operators position.
- Never leave equipment unattended with the engine running or with this attachment in a raised position.
- Do not alter or remove any safety feature from the operating machine or this attachment.
- Know your work site safety rules as well as traffic rules and flow. When in doubt on any safety issue, contact your supervisor or safety coordinator for an explanation.



SAFELY MAINTAIN AND REPAIR EQUIPMENT



- Do not wear loose clothing, or any accessories that can catch in moving parts. If you have long hair, cover or secure it so that it does not become entangled in the equipment.
- Work on a level surface in a well-lit area.
- Use properly grounded electrical outlets and tools.
- Use the correct tool for the job at hand. Make sure tools are in good condition.
- Wear all protective equipment specified by the tool manufacturer.

OPERATING PRECAUTIONS

⚠ WARNING

DO NOT IMPROPERLY USE Attachment

This coupler is designed to grab objects and debris and not for any other use.

⚠ DANGER

BE AWARE OF SURROUNDING UTILITIES

NOTICE

Operator must be aware of all utility line and overhead electrical lines. Operations must be able to clear all lines safely.

⚠ DANGER

BE AWARE OF OVERHEAD DANGER

Operator must be aware of all possible overhead dangers that are within the range of motion of the operating machine.

⚠ WARNING

DO NOT OPERATE WITH A LOOSE ATTACHMENT

Visually check the coupler to verify attachments are secure and lock is fully engaged and that the center to center of the attachment matches the up with the coupler.

⚠ WARNING

PINCH POINTS

Personal injury could result from the careless misuse of this coupler. Keep hands and body parts clear of the coupler when it's in the process of hooking up to an attachment. Be sure the machine is off and the attachment is on the ground prior to making adjustments.

Torque Specs

Please observed these approved specs. Failure to observe these specs can result in damage and other undesirable results.

Dash Size	Tube O.D. (Ref)	Thread Size	Torque Values Ft. Lbs.			
			37° Flare		Straight Thread	
			Ft. Lbs	Nm.	Ft. Lbs.	Nm.
4	1/4	7/16-20	10-12	14-16	15-19	20-25
5	5/16	1/2-20	13-16	18-21	20-25	27-33
6	3/8	9/16-18	20-25	27-33	32-40	43-54
8	1/2	3/4-16	34-42	46-56	54-67	73-90
10	5/8	7/8-14	46-58	62-78	74-92	100-124
12	3/4	1-1/16-12	64-80	87-108	102-128	138-173
14	7/8	1-3/16-12	80-100	109-135	128-160	173-216
16	1	1-5/16-12	97-117	131-158	150-187	203-253
20	1 1/4	1-5/8-12	145-165	197-223	227-264	308-357
24	1 1/2	1-7/8-12	230-250	312-338	363-400	492-542

*Apply enough pipe sealer to contact all threads.

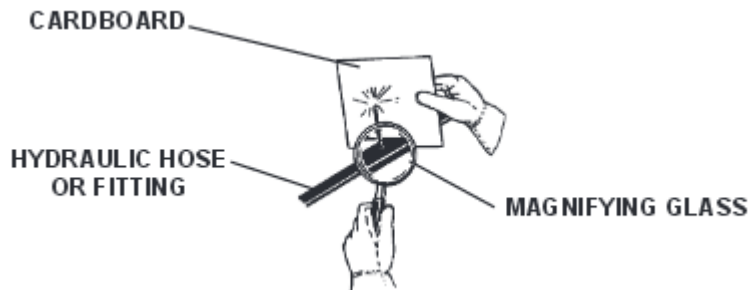
** Do not use that excess will squeeze into the hydraulic lines.

WARNING!

Escaping fluid under pressure can have sufficient force to penetrate the skin, causing serious personal injury. Fluid escaping from a very small hole can be almost invisible. Use a piece of cardboard or wood, rather than hands, to search for suspected leaks.

Keep unprotected body parts, such as face, eyes, and arms as far away as possible from a suspected leak. Flesh injected with hydraulic fluid may develop gangrene or other permanent disabilities.

If injured by injected fluid, see a doctor at once. If your doctor is not familiar with this type of injury, ask him to research it immediately to determine proper treatment.



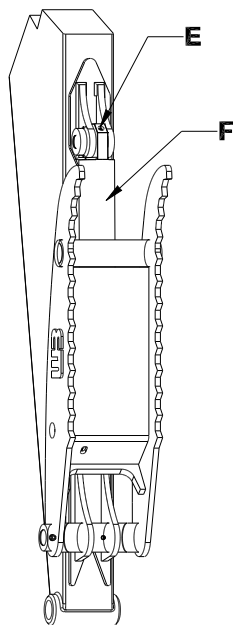
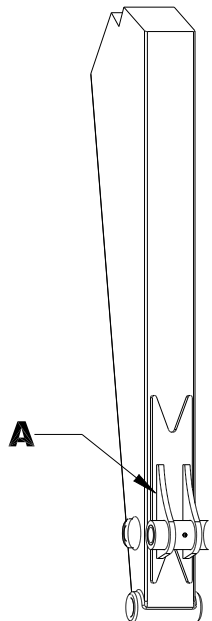
IMPORTANT: When replacing parts, use only factory approved replacement parts. Manufacturer will not claim responsibility for use of unapproved parts or accessories, and/or other damages as a result of their use.

EZG-TC2 INSTALLATION INSTRUCTIONS

REMOVE PAINT FROM BOTTOM OF STICK AT END.

PLACE BASE ON BOTTOM OF STICK. (STANDARD STARTING DISTANCE IS 100mm [4IN])

TACK BASE IN PLACE



ROTATE THUMB BACK TO STICK UNTIL STOP SPOINTS ON CLEVICE ARE HITTING STOP SURFACE ON BASE

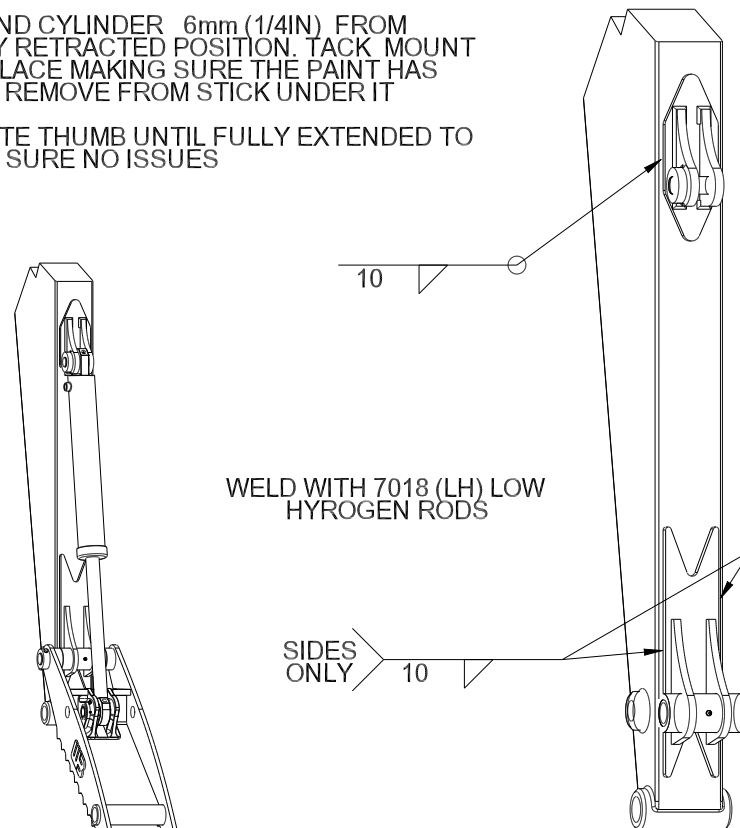
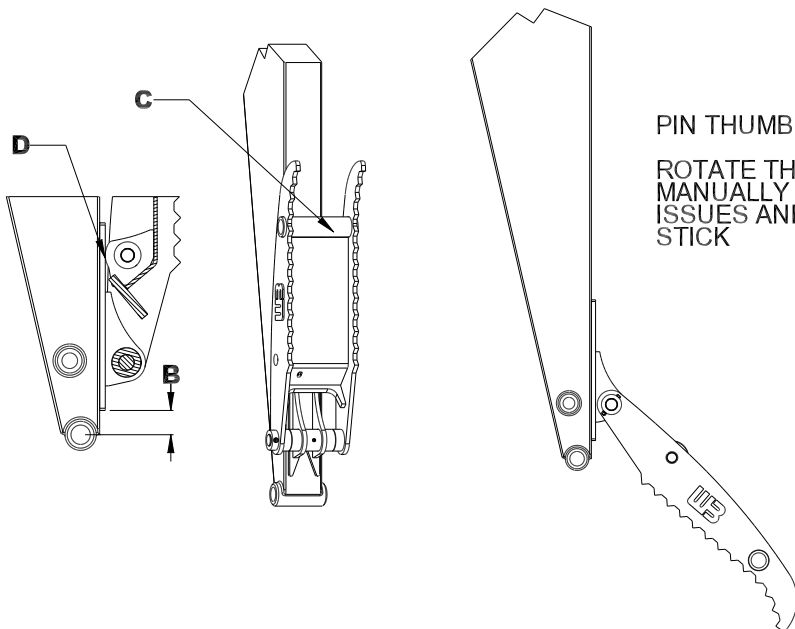
PIN CYLINDER AND MOUNT TO THUMB

EXTEND CYLINDER 6mm (1/4IN) FROM FULLY RETRACTED POSITION. TACK MOUNT IN PLACE MAKING SURE THE PAINT HAS BEEN REMOVE FROM STICK UNDER IT

ROTATE THUMB UNTIL FULLY EXTENDED TO MAKE SURE NO ISSUES

PIN THUMB TO BASE

ROTATE THUMB AROUND 130° MANUALLY TO CHECK FOR INTERFERENCE ISSUES AND ROTATING PARALLEL TO STICK



WELD WITH 7018 (LH) LOW HYROGEN RODS

SIDES ONLY

WARNING: DISCONNECT THE BATTERY BEFORE USING WELDER ON MACHINE

MAX PRESSURE FOR ALL MACHINES: 2500psi



WERK-BRAU CO., INC.

2800 FOSTORIA AVE. P.O. BOX 545 FINDLAY, OHIO 45840-0545
www.werkbrau.com PHONE: 419-422-2912 FAX: 419-422-7207

Storage

- Clean the unit thoroughly, removing all mud, dirt, and grease.
 - Inspect for visible signs of wear, breakage, or damage. Order any parts required and make the necessary repairs to avoid delays upon removal from storage.
 - Tighten loose nuts, cap screws and hydraulic connections.
 - Coat exposed portions of the cylinder rods with grease.
 - Lubricate grease fittings.
 - Seal hydraulic system from contaminants and secure all hydraulic hoses off the ground to help prevent damage.
 - Replace decals that are damaged or in unreadable condition.
 - Store unit in a dry and protected place. Leaving the unit outside will materially shorten its life.
- Additional Precautions for Long Term Storage:
- Touch up all unpainted surfaces with paint to prevent rust. REMOVAL FROM STORAGE
 - Remove cover.
 - Wash unit and replace any damaged and/or missing parts.
 - Lubricate grease fittings.
 - Check hydraulic hoses for damage and replace as necessary.

Maintenance and Service

Procedure	Daily	Every 40 Hrs
Check all bolts and nuts for tightness	X	
Replace any missing bolts or nuts with approved replacement parts	X	
Check hydraulic system for hydraulic oil leaks. See procedure below.	X	
Visually inspect the machine for worn parts or cracked welds, and repair as necessary.	X	
Lubricate all grease fittings		X

Oil Cleanliness Requirements

IMPORTANT - All hydraulic fluid shall be filtered before use in any FFC product to obtain the ISO cleanliness standard of 20/18/15. Unless explicitly specified otherwise.

Fittings/Hoses Inspection Guidelines

Stop the prime mover engine and release hydraulic pressure before servicing or adjusting hydraulic system.

**Werk-Brau Co. INC.,
2800 Fostoria Rd
P.O. Box 545
Findlay, Ohio
45839**

For replacement parts, questions, and other matters please call your local dealer. If you cannot reach a local dealer please call and we will be happy to find a dealer for you and answer any questions.

**PHONE:
1-800-537-9561**

**FAX:
(419) 422-7207**

**WEBSITE:
www.werk-brau.com**

Engage with us!



Facebook & LinkedIn

Record of Revisions

Revision	Date	Notes

ABOUT WERK-BRAU

Since 1947, Werk-Brau has manufactured the highest quality and most innovative specialty products for the heavy equipment industry. Werk-Brau is respected internationally for providing outstanding customer service and being dedicated to excellence in all aspects of our business. Duke Werkheiser and Dutch Brautigan, for whom the company is named after, first opened their blacksmith shop in Findlay Ohio. Still today Werk-Brau manufactures and produces in Findlay Ohio, in a state of the art facility.

Over the decades Werk-Brau has grown and become so much more than a simple blacksmith operation. Today Werk-Brau proudly employs an industry leading team of professionals who work hard to follow the vision set by the founders of Werk-Brau to "Provide Excellence in Customer Service". As a modern company Werk-Brau is efficient, high-tech, dedicated to its customers, and deeply proud of the quality of products manufactured.

Werk-Brau manufactures a complete line of O.E.M. and replacement attachments for excavators, mini excavators, backhoes, skid steers, mini and full size loaders and crawler loaders. All over the world Werk-Brau attachments can be found hard at work in the toughest of conditions.

Made in America Since 1947!

THANK YOU FOR YOUR PURCHASE!

WORK SAFE!