



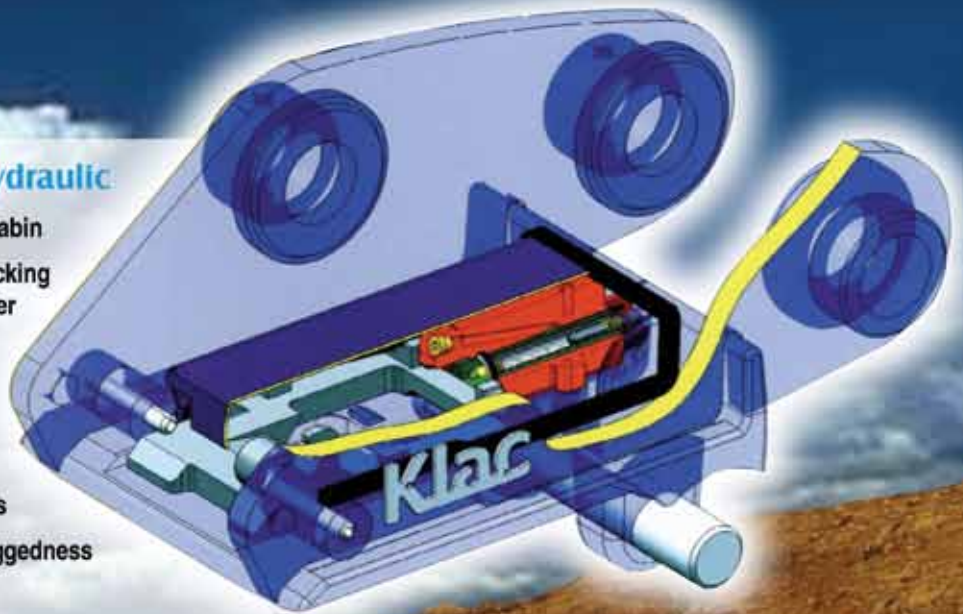
WERK-BRAU CO., INC.

Klacc system hydraulic version, as simple as the mechanical one!

The simplicity and efficiency of the Klacc system mechanical coupler is now available in an hydraulic version starting from 2 t machines.

Key Features of the Klacc System Hydraulic:

- Change Your Bucket Without Getting Out of the Cabin
- Mechanical and Automatic Locking, Manual Unlocking Remains Possible if Needed (You Will Never Suffer of an Hydraulic Failure)
- A Simple Effect Hydraulic Line for Unlocking
- Klacc System Hydraulic Remains Very Compact, Following the Original Manufacturer's Geometry
- Double Safety and Compliance with EC Standards
- Cast Steel Parts Guaranteeing Longevity and Ruggedness
- Patented Product
- Always 2 Year Guarantee

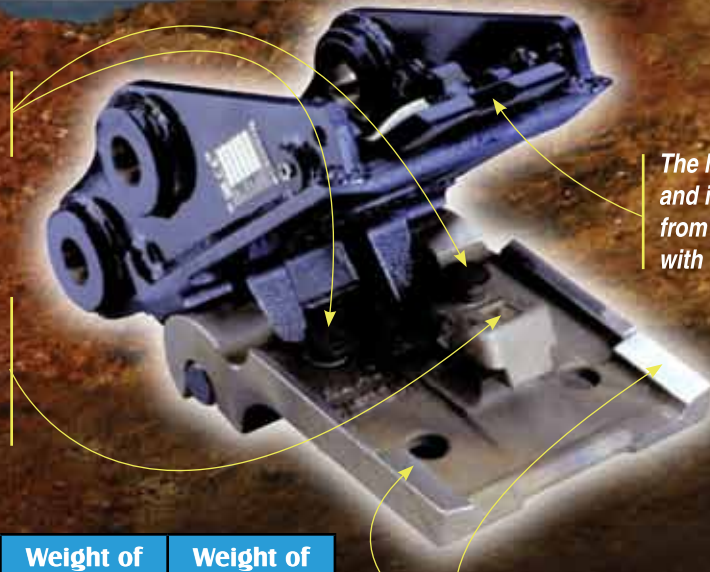


2 Contacts Reinforce the Contact Pressure Between the Shaft and its Housing

The lock trigger is automatic and its Position is Visible from the Cab, in Conformity with the EC Standards

The Shoe has a Threefold Function:

- Tripping the Locking of the Plate
- Locking the System Permanently
- Ensuring a Safety Locking if the Locking is Not Complete



The Bevelled Bearing Surfaces of the Top Plate Prevent Any Side Play and Constantly Lock and Center the Quick Coupler

Range (Approximative Weight)	Width	Weight of Mechanical Coupler*	Weight of Hydraulic Coupler*	Weight of the Top Plate
Model C (1 to 2t)	200 mm	14 kg	ND	5 kg
Model D (2 to 3,5 t)	230 mm	24 kg	26 kg	9 kg
Model E (3,5 to 5,5 t)	270 mm	43 kg	45 kg	14 kg
Model F (5,5 to 9 t)	310 mm	72 kg	75 kg	24 kg

*According to the machine

Not contracted pictures



Connecting a Hydraulic System to a Quick Hitch is Often Difficult

- The Hoses Tend to Snag or Foul as the Bucket is Rotated
- There is Often Very Little Room for the Hoses to be Installed
- On Some Mini Excavators it has been Impossible to Effectively Install a Hydraulic Quick Hitch.

Klac protect,

the unique solution to hose installation!



With **Klac protect**: cylinder extended, hoses, no problem!



With **Klac protect**: cylinder retracted, hoses, no problem!

The hose loop, which normally tends to snag or foul, is now contained within the **Klac protect** casing. This casing accommodates the lengthening and shortening of the hose during all bucket rotation.

Installation to the hydraulic system is simple. Operation is trouble free.

Patent pending product.



WERK-BRAU CO., INC.

1-800-537-9561

PARTNERS IN PRODUCTION
www.werkbrau.com

2800 Fostoria Road • Findlay, Ohio 45840 • USA