

***NOTE: SOME MINOR DIFFERENCES BETWEEN MODELS

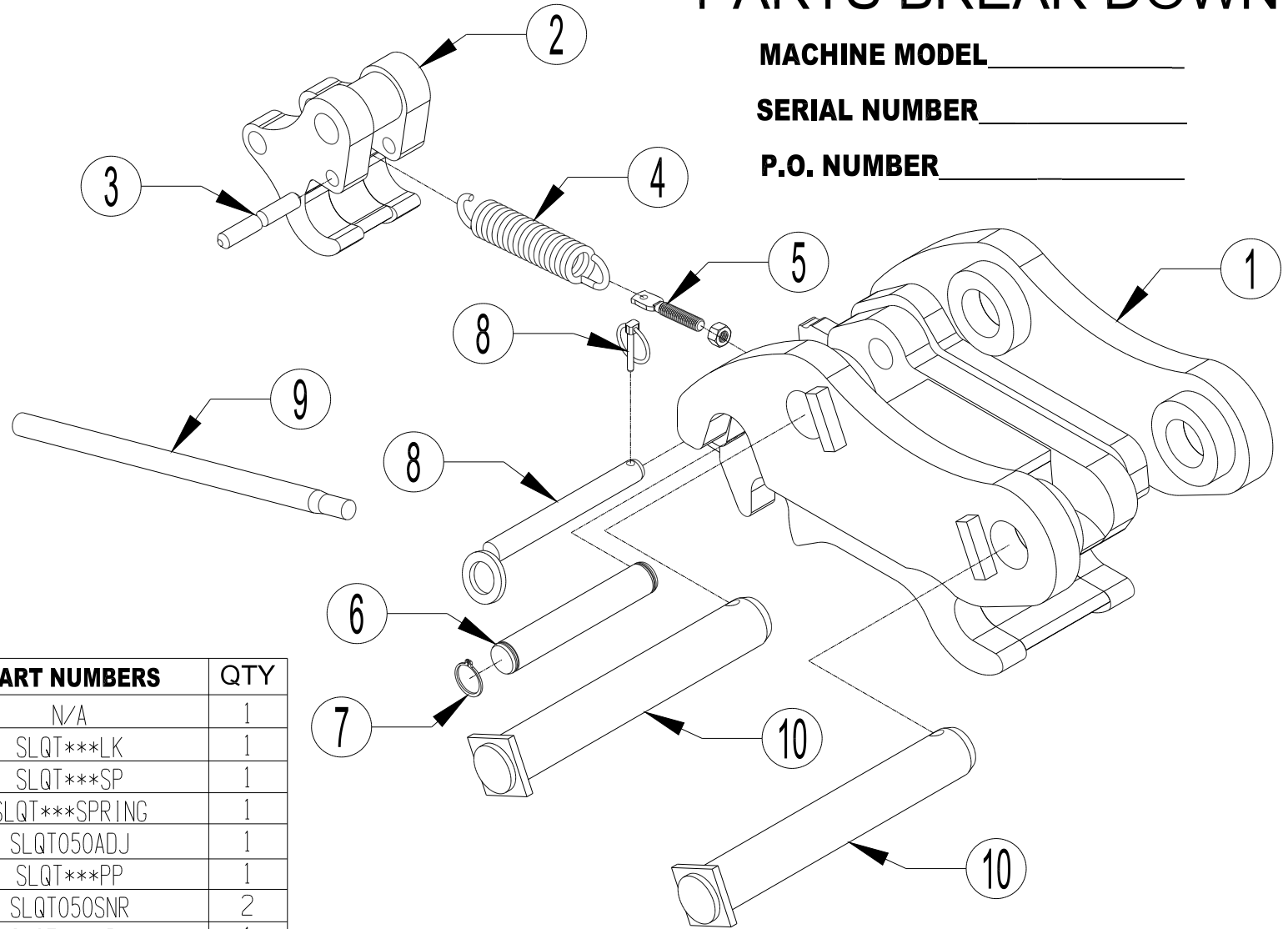
MINI SLQT PARTS BREAK DOWN

MACHINE MODEL _____

SERIAL NUMBER _____

P.O. NUMBER _____

SLQT P.N.	***
SLQT-05MN	050
SLQT-76MN	050
SLQT-1MN	050
SLQT-15MN	050
SLQT-2MN	15
SLQT-3MN	17
SLQT-4MN	17
SLQT-5MN	19



#	DESCRIPTION	PART NUMBERS	QTY
1	WELDED COUPLER	N/A	1
2	LOCK	SLQT***LK	1
3	SPRING PIN	SLQT***SP	1
4	SPRING	SLQT***SPRING	1
5	ADJUSTING BOLT W/ NUT	SLQT050ADJ	1
6	PIVOT PIN	SLQT***PP	1
7	SNAP RING	SLQT050SNR	2
8	LOCK PIN W/ KEEPER	SLQT***LPK	1
9	LOCK HANDLE	SLQT***RB	1
10	BUCKET PIN	QCPK-*CLASS*	2

REVISION 2 - 8/5/10
SLQT-PARTS-BREAKDOWN.CKD