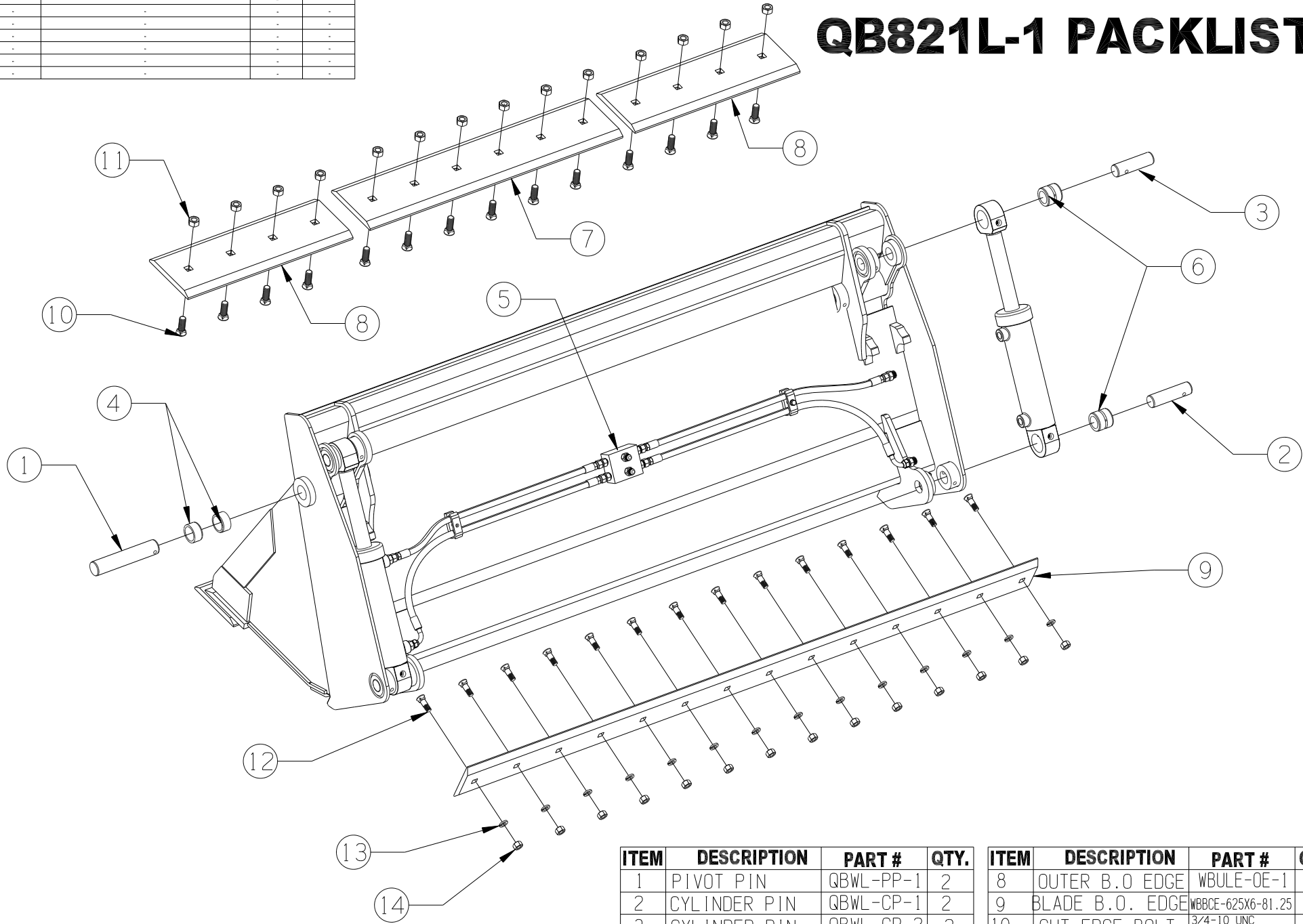


REV	DATE	CHANGE DESCRIPTION	BY	CHECKED
-	-	-	-	-
-	-	-	-	-
-	-	-	-	-
-	-	-	-	-
-	-	-	-	-
-	-	-	-	-
-	-	-	-	-
-	-	-	-	-
-	-	-	-	-
-	-	-	-	-

QB821L-1 PACKLIST



ITEM	DESCRIPTION	PART #	QTY.	ITEM	DESCRIPTION	PART #	QTY.
1	PIVOT PIN	QBWL-PP-1	2	8	OUTER B.O. EDGE	WBULE-OE-1	2
2	CYLINDER PIN	QBWL-CP-1	2	9	BLADE B.O. EDGE	WBBCE-625X6-81.25	1
3	CYLINDER PIN	QBWL-CP-2	2	10	CUT EDGE BOLT	3/4-10 UNC X2-1/4 PLOW_BOLT	14
4	PIVOT BUSHING	QBWL-BP-1	4	11	CUT EDGE NUT	3/4-10 UNC	14
5	MANIFOLD	QBWL-MN-1	1	12	BLADE EDGE BOLT	5/8-11 UNC X2-1/4 PLOW_BOLT	14
6	CYLINDER BUSHING	QBWL-BC-1	4	13	BLADE EDGE WASHER	5/8-11 UNC	14
7	CNTR B.O. EDGE	WBULE-CE-82	1	14	BLADE EDGE NUT	5/8-11 UNC	14

WB WERK-BRAU CO., INC.
 2800 FOSTORIA AVE. P.O. BOX 545 FINDLAY, OHIO 45840-0545
 www.werkbrau.com PHONE: 419-422-2912 FAX: 419-422-7207

INCH 1/X: ± 1/16
 .X: ± .1
 .XX: ± .01
 .XXX: ± .005
 XXXX: ± .0005
 METRIC X: ± 1.50
 X: ± 0.80
 XXX: ± 0.25
 ANGLE ± 0.5°
 NOT TO SCALE