

# WB

1-800-537-9561

*Werk-Brau Co., INC*

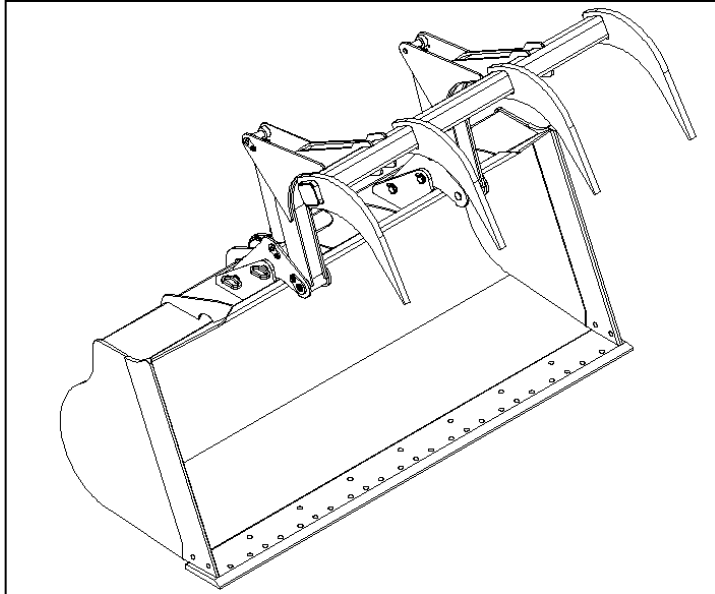
2800 Fostoria RD  
PO Box 545  
Findlay, Ohio  
45839

Ph: 1-800-537-9561  
Fax: 419-422-7207

www.Werk-Brau.com

## Index:

Safety	2
Torque Specs	4
Part Identification	5
Disconnect	5
Installation	6
Maintenance	7
Revision Record	7
Misc Info	7
Warranty -	Back Cover



This instruction manual describes the installation, operation, and maintenance for a Werk-Brau Quick Attach Grapple (QAG). Please take the time to record the information listed below.

**Serial No.:** \_\_\_\_\_

**Model No.:** \_\_\_\_\_

**Date Manufactured:** \_\_\_\_\_

## QUICK ATTACH GRAPPLE Introduction

Thank you for your purchase! Werk-Brau Co., Inc.'s "Quick Attach Grapple" is a great solution for anyone who wants to quickly add a grapple to their attachment selection. With our removable tine assembly the grapple option can be added or removed in less than 3 MINUTES!!! If installed and maintained properly, it should provide years of service in a rugged environment.

**NOTE: Pictures and diagrams thru out this manual may not be your exact Werk-Brau attachment. The pictures represent an action or a setup.**

**Safety Statement Guide**



→ Danger tags are used in major hazard situations where an immediate hazard presents a threat of death or serious injury to operator and anyone about.



→ Warning tags are used to represent a hazard level between “Caution” and “Danger”, instead of the required “Caution” tag, provided that they have a signal word of “Warning,” an appropriate major message.



→ Caution tags are used in minor hazard situations where a non-immediate or potential hazard or unsafe practice presents a lesser threat of injury.



→ A notice label is used where equipment or property damage could result if the instructions are not followed properly.



→ This symbol by itself or used with a safety signal word throughout this manual is used to call your attention to instructions involving your personal safety or the safety of others. Failure to follow these instructions can result in injury or death.

**General Safety Precautions**

**READ MANUAL PRIOR TO INSTALLATION**



Improper installation, operation, or maintenance of this equipment could result in serious injury or death. Operators and maintenance personnel should read this manual as well as all manuals related to this equipment and the operating machine thoroughly before beginning installation, operation, or maintenance. **FOLLOW ALL SAFETY INSTRUCTIONS IN THIS MANUAL AND THE OPERATING MACHINES MANUAL.**

**READ AND UNDERSTAND ALL SAFETY STATEMENTS**



Read all safety decals and safety statements in all manuals prior to operating or working on this equipment. Know and obey all OSHA regulations, local laws and other professional guidelines for your operation. Know and follow good work practices when assembling, maintaining, repairing, mounting, removing or operating this equipment.

**KNOW YOUR EQUIPMENT**



Know your equipment’s capabilities, dimensions and operations before operating. Visually inspect your equipment before you start, and never operate equipment that is not in proper working order with all safety devices intact. Check all hardware to assure it is tight. Make certain that all locking pins, latches, and connection devices are properly installed and secured. Remove and replace any damaged, fatigued or excessively worn parts. Make certain all safety decals are in place and are legible. Keep decals clean, and replace them if they become worn and hard to read.

**PROTECT AGAINST FLYING DEBRIS**



Always wear proper safety glasses, goggles with a face shield when driving pins in or out or when any operation causes dust, flying debris, or any other hazardous material.

**LOWER OR SUPPORT RAISED EQUIPMENT**



Do not work under raised booms without supporting them. Do not use support material made of concrete blocks, logs, buckets, barrels or any other material that could suddenly collapse or shift positions. Make sure support material is solid, not decayed, warped, twisted, or tapered. Lower the boom(s) to ground level or onto block(s). Lower the boom(s) and attachment(s) to the ground before leaving the cab or operator’s station.

## General Safety Precautions - Continued

### **WARNING** USE CARE WITH HYDRAULIC FLUID PRESSURE

Hydraulic fluid under pressure can penetrate the skin and cause serious injury or death. Hydraulic leaks under pressure may not be visible. Before connecting or disconnecting hydraulic hoses, read your operating machines operator's manual for detailed instructions on connecting and disconnecting hydraulic hoses or fittings.


- Keep unprotected body parts, such as face, eyes, and arms as far away as possible from a suspected leak. Flesh injected with hydraulic fluid may develop gangrene or other permanent disabilities. Wear safety glasses, protective clothing, and use a sound piece of cardboard or wood when searching for hydraulic leaks. **DO NOT USE YOUR HANDS!**
- If injured by injected fluid, see a doctor at once. If your doctor is not familiar with this type of injury, ask him to research immediately to determine proper treatment.


### **WARNING** DO NOT MODIFY MACHINE OR ATTACHMENTS

Modifications may weaken the integrity of the attachment and may impair the function, safety, life and performance of the attachment. When making repairs, use only the manufacturer's genuine parts, following authorized instructions. Other parts may be substandard in fit and quality. For loaders, never modify any ROPS (Roll Over Protection System) equipment or device.

**!!!Any modifications must be authorized in writing by the Werk-Brau or the manufacturer!!!**

### SAFELY OPERATE THE EQUIPMENT

 **DANGER** Do not operate equipment until you are completely trained by a qualified operator in how to use the controls, know its capabilities, dimensions, and all safety requirements.

 **NOTICE** See your operating machines manual for these instructions.

- Keep all step plates, grab bars, pedals, and controls free of dirt, grease, debris, and oil.
- Be sure that all bystanders are out of harms way when operating.
- Do not allow riders on the attachment or operating machine
- Do not operate the equipment from anywhere other than the correct operators position.
- Never leave equipment unattended with the engine running or with this attachment in a raised position.
- Do not alter or remove any safety feature from the operating machine or this attachment.
- Know your work site safety rules as well as traffic rules and flow. When in doubt on any safety issue, contact your supervisor or safety coordinator for an explanation.

### SAFELY MAINTAIN AND REPAIR EQUIPMENT

- Do not wear loose clothing, or any accessories that can catch in moving parts. If you have long hair, cover or secure it so that it does not become entangled in the equipment.
- Work on a level surface in a well-lit area.
- Use properly grounded electrical outlets and tools.
- Use the correct tool for the job at hand. Make sure tools are in good condition.
- Wear all protective equipment specified by the tool manufacturer.



**OPERATING PRECAUTIONS**

- ⚠️ WARNING** **DO NOT IMPROPERLY USE QUICK ATTACH GRAPPLE**  
This Grappler is designed to safely handle material within reason. Always use caution when handling material.
- ⚠️ DANGER** **BE AWARE OF SURROUNDING UTILITIES**
- 📢 NOTICE** Operator must be aware of all utility line and overhead electrical lines. Operations must be able to clear all lines safely.
- ⚠️ DANGER** **BE AWARE OF OVERHEAD DANGER**  
Operator must be aware of all possible overhead dangers that are within the range of motion of the operating machine.
- ⚠️ WARNING** **DO NOT OPERATE WITH A LOOSE ATTACHMENT**  
Visually check the coupler to verify attachments are secure and lock is fully engaged and that the center to center of the attachment matches the up with the coupler.
- ⚠️ WARNING** **PINCH POINTS**  
Personal injury could result from the careless misuse of this coupler. Keep hands and body parts clear of the coupler when it's in the process of hooking up to an attachment. Be sure the machine is off and the attachment is on the ground prior to making adjustments.

**Torque Specs**

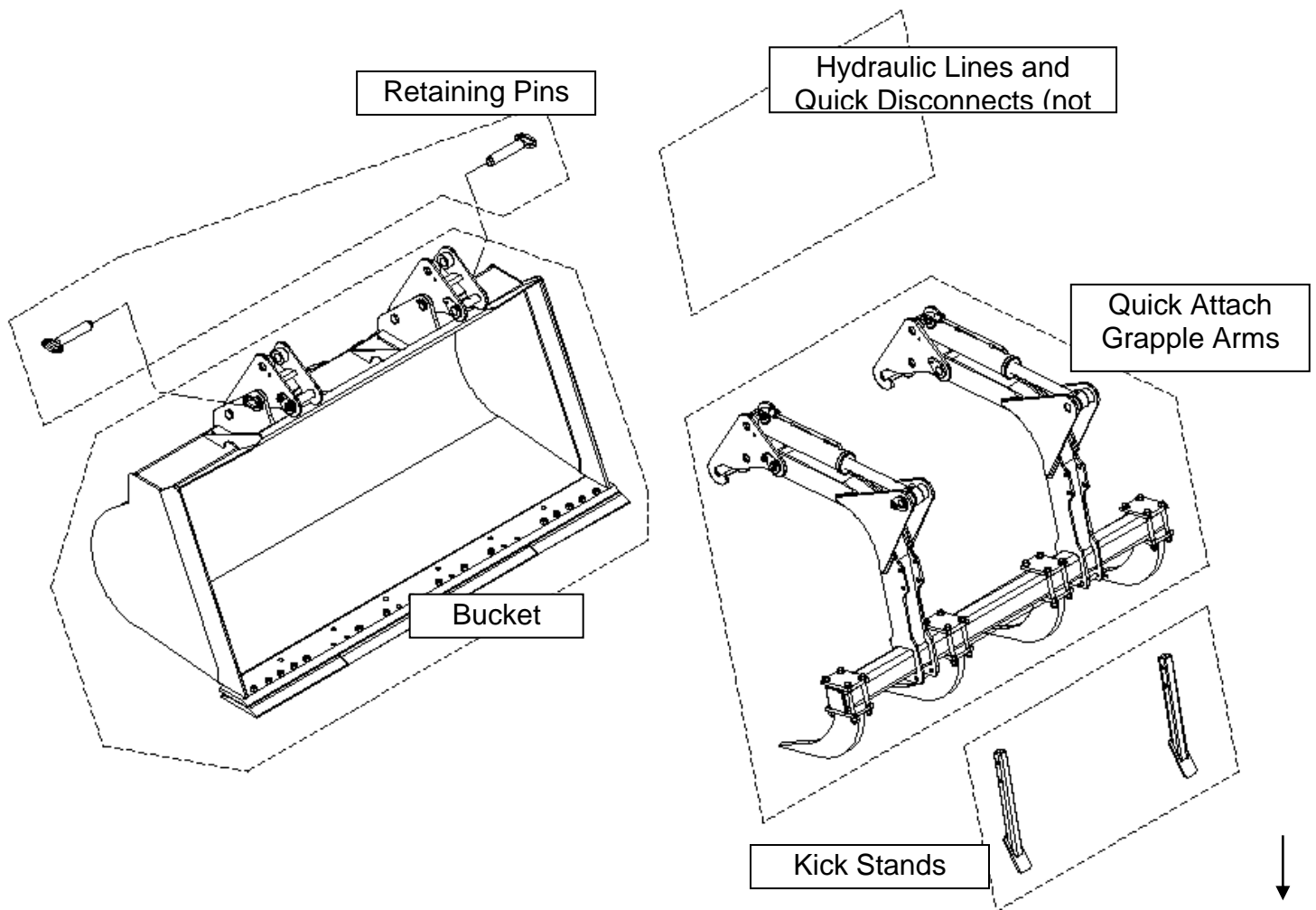
Please observed these approved specs. Failure to observe these specs can result in damage and other undesirable results.

Torque Values Ft. Lbs.						
Dash	Tube	Thread	37° Flare		Straight Thread	
Size	O.D. (Ref)	Size	Ft. Lbs	Nm.	Ft. Lbs.	Nm.
4	1/4	7/16-20	10-12	14-16	15-19	20-25
5	5/16	1/2-20	13-16	18-21	20-25	27-33
6	3/8	9/16-18	20-25	27-33	32-40	43-54
8	1/2	3/4-16	34-42	46-56	54-67	73-90
10	5/8	7/8-14	46-58	62-78	74-92	100-124
12	3/4	1-1/16-12	64-80	87-108	102-128	138-173
14	7/8	1-3/16-12	80-100	109-135	128-160	173-216
16	1	1-5/16-12	97-117	131-158	150-187	203-253
20	1 1/4	1-5/8-12	145-165	197-223	227-264	308-357
24	1 1/2	1-7/8-12	230-250	312-338	363-400	492-542

*\*Apply enough pipe sealer to contact all threads.*

*\*\* Do not use that excess will squeeze into the hydraulic lines.*

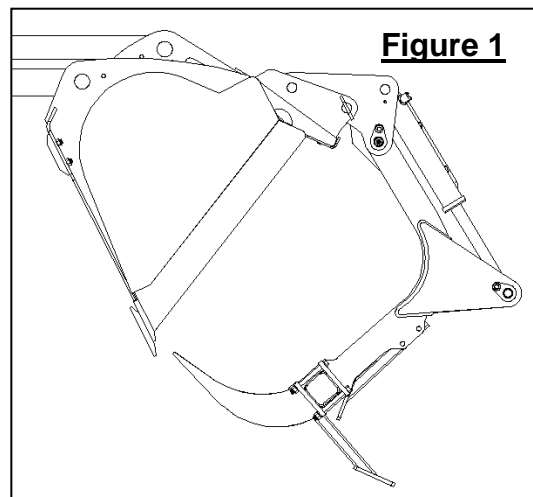
## IDENTIFICATION PAGE



## DISCONNECTING THE GRAPPLE FROM THE BUCKET

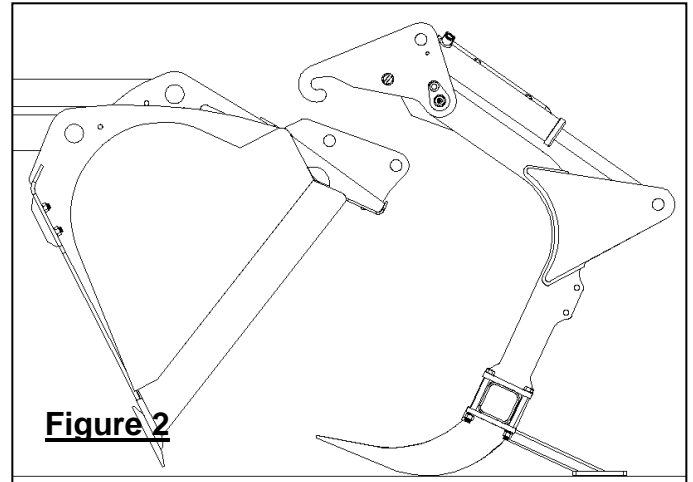
7. Drive bucket over hard level ground. Tilt the bucket forward (dump direction) (Figure 1).
8. Move Quick Attach Grapple **Kick Stands** to resting position (Figure 1, #2).
9. **Remove the Quick Attach Grapple Retaining Pins.** The pins should come out easily. If not ensure there is not weight on the pin (hook should be higher than retaining pin) (Figure 1, #3).

(Continued on the next page)



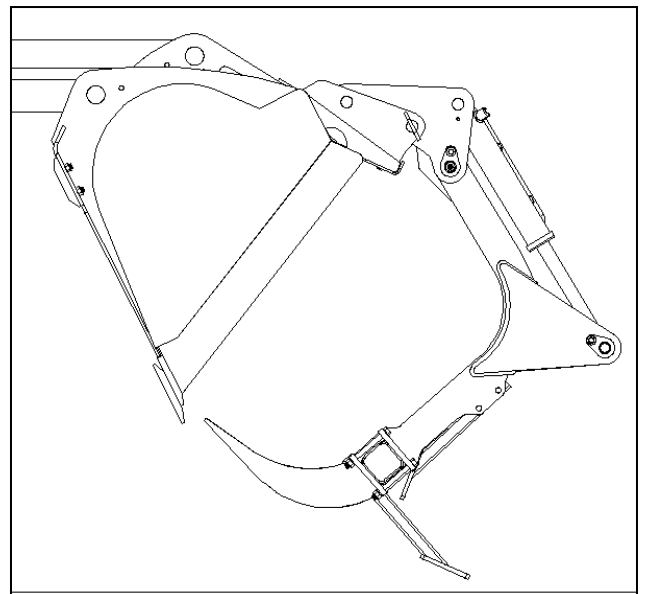
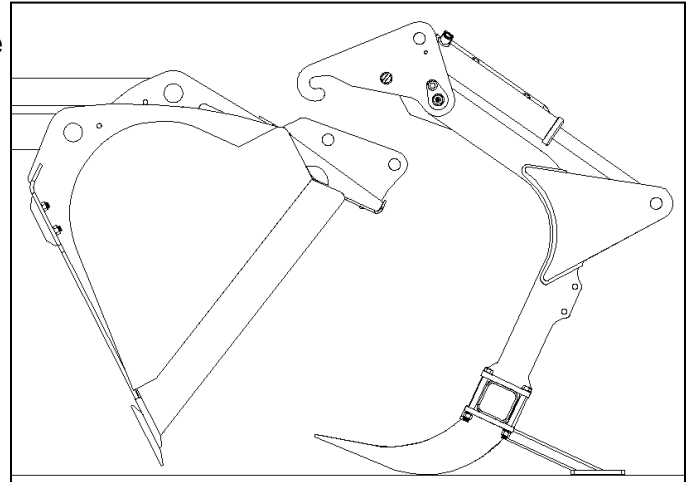
## DISCONNECTING THE GRAPPLE FROM THE BUCKET (cont)

4. **Disconnect the Quick Connect Hydraulic Hoses** from the auxiliary supply lines. Be sure that hoses are secured after removal so they will not be pulled when bucket is taken away.
5. **Lower bucket and Quick Attach Grapple to the ground.** The Kick Stands and the Grapple Tines should both be touching the ground (Figure 2).
6. Rotate bucket (in dumping motion) and **unhook Quick Attach Grapple Arms** from Bucket Mounts (Figure 2, #6).



## CONNECTING THE GRAPPLE FROM THE BUCKET

1. With Bucket in dump position **approach Quick Attach Grapple Arms.** Ensure that Bucket Grapple Mounts are aligned with Grapple Arms.
2. Hook Bucket Grapple Mounts to Quick Attach Grapple Arms and slightly lift grapple of ground (a few inches). Ensure Retaining pin hole is below hook for easier installation of pin (still in dump position).
3. **Install the Quick Attach Grapple Retaining Pins** with lynch pins.
4. **Connect Quick Connect Hydraulic Hoses** to Auxiliary Supply lines.
5. Place QAG Kick Stands in stored position.
6. **Test movement of Q.A. Grapple** (open and close a few time). If all operates as normal proceed to work.



**1-800-537-9561**  
**Ask for Installation**  
**Assistance**

Monday through Friday - 8:00  
a.m. to 5:00 p.m. EST

**Werk-Brau Co. INC.,**  
**2800 Fostoria Rd**  
**P.O. Box 545**  
**Findlay, Ohio**  
**45839**

For replacement parts, questions, and other matters please call your local dealer. If you can not reach a local dealer please call us and we will be happy to find a dealer for you and answer any questions.

**PHONE:**  
**1-800-537-9561**

**FAX:**  
**(419) 422-7207**

**WEBSITE:**  
**www.Werk-Brau.com**

**Engage with us!**



**Facebook & LinkedIn**

**MAINTENANCE PROCEDURES**

PROCEDURE	INTERVAL	NOTE
CHECK BOLT TIGHTNESS	DAILY	Look at hose connections and hose fittings
CHECK FOR HYDRAULIC LEAKS	DAILY	See torque specs Page # 5
CHECK FOR BUILD-UP AROUND PIVOT AREAS	DAILY	Remove ice, ground hay or any other debris from all pivot areas.

**RECORD OF REVISIONS**

Revision	Date	Notes
B	04/25/2008	Document Created
C	08/25/2012	Graphic revision to reflect new design

**ABOUT WERK-BRAU**

Since 1947, Werk-Brau has manufactured the highest quality and most innovative specialty products for the heavy equipment industry. Werk-Brau is respected internationally for providing outstanding customer service and being dedicated to excellence in all aspects of our business. Duke Werkheiser and Dutch Brautigam, for whom the company is named after, first opened their blacksmith shop in Findlay Ohio. Still today Werk-Brau manufactures and produces in Findlay Ohio, in a state of the art facility.

Over the decades Werk-Brau has grown and become so much more than a simple blacksmith operation. Today Werk-Brau proudly employs an industry leading team of professionals who work hard to follow the vision set by the founders of Werk-Brau to "Provide Excellence in Customer Service". As a modern company Werk-Brau is efficient, high-tech, dedicated to its customers, and deeply proud of the quality of products manufactured.

Werk-Brau manufactures a complete line of O.E.M. and replacement attachments for excavators, mini excavators, backhoes, skid steers, mini and full size loaders and crawler loaders. All over the world Werk-Brau attachments can be found hard at work in the toughest of conditions.

**Made in America Since 1947!**

**THANK YOU FOR YOUR PURCHASE!**

**WORK SAFE!**

To learn more about your Warranty please visit:

**<http://www.werk-brau.com/warranty-claims>**

To file a Warranty Claim please visit:

**<http://www.werk-brau.com/warranty-claims/form>**

Download Manuals At:

**<http://www.werk-brau.com/product-manuals>**

Or Call:

**1-800-537-9561**