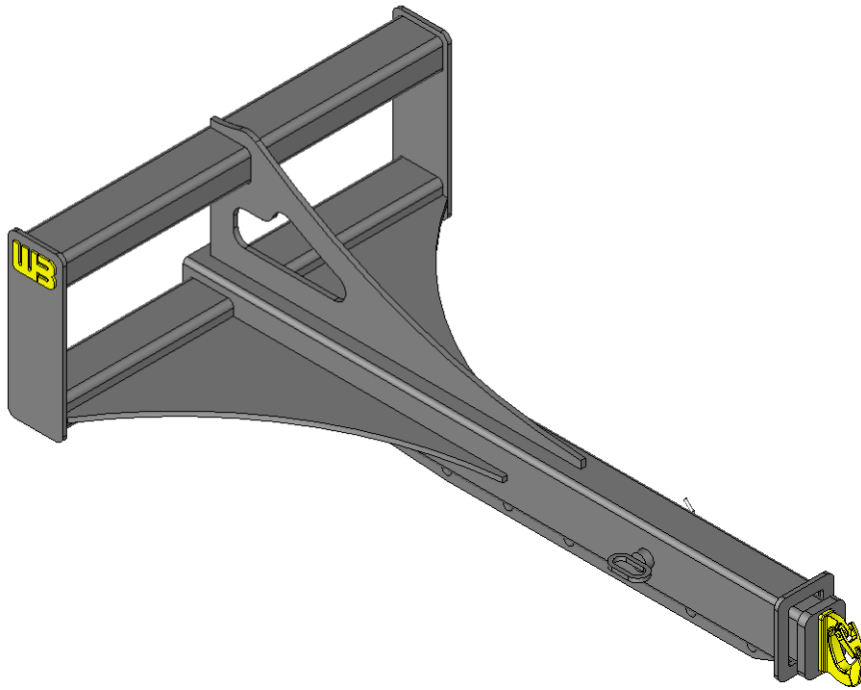


# WERK-BRAU CO., INC. PRODUCT AND INSTALLATION MANUAL

WBBM  
(Jig Boom)



Serial No: \_\_\_\_\_

Model No: \_\_\_\_\_

Date Manufactured: \_\_\_\_\_

**PROUDLY MANUFACTURED IN FINDLAY, OH**  
**Werk-Brau.com**



# SAFETY STATEMENT GUIDE

## DANGER

Danger tags are used in major hazard situations where an immediate hazard presents a threat of death or serious injury to operator and anyone about.

## WARNING

Warning tags are used to represent a hazard level between “Caution” and “Danger”, instead of the required “Caution” tag, provided that they have a signal word of “Warning,” an appropriate major message.

## CAUTION

Caution tags are used in minor hazard situations where a non-immediate or potential hazard or unsafe practice presents a lesser threat of injury.

## NOTICE

A notice label is used where equipment or property damage could result if the instructions are not followed properly.



This symbol by itself or used with a safety signal word throughout this manual is used to call your attention to instructions involving your personal safety or the safety of others. Failure to follow these instructions can result in injury or death.

# GENERAL SAFETY PRECAUTIONS

## DANGER

### **READ MANUAL PRIOR TO INSTALLATION**

Improper installation, operation, or maintenance of this equipment could result in serious injury or death. Operators and maintenance personnel should read this manual as well as all manuals related to this equipment and the operating machine thoroughly before beginning installation, operation, or maintenance. FOLLOW ALL SAFETY INSTRUCTIONS IN THIS MANUAL AND THE OPERATING MACHINES MANUAL.

## WARNING

### **READ AND UNDERSTAND ALL SAFETY STATEMENTS**

Read all safety decals and safety statements in all manuals prior to operating or working on this equipment. Know and obey all OSHA regulations, local laws and other professional guidelines for your operation. Know and follow good work practices when assembling, maintaining, repairing, mounting, removing or operating this equipment.

## DANGER

### **KNOW YOUR EQUIPMENT**

Know your equipment’s capabilities, dimensions and operations before operating. Visually inspect your equipment before you start, and never operate equipment that is not in proper working order with all safety devices intact. Check all hardware to assure it is tight. Make certain that all locking pins, latches, and connection devices are properly installed and secured. Remove and replace any damaged, fatigued or excessively worn parts. Make certain all safety decals are in place and are legible. Keep decals clean, and replace them if they become worn and hard to read.

## NOTICE

### **PROTECT AGAINST FLYING DEBRIS**

Always wear proper safety glasses, goggles with a face shield when driving pins in or out or when any operation causes dust, flying debris, or any other hazardous material.

## WARNING

### **LOWER OR SUPPORT RAISED EQUIPMENT**

Do not work under raised booms without supporting them. Do not use support material made of concrete blocks, logs, buckets, barrels or any other material that could suddenly collapse or shift positions. Make sure support material is solid, not decayed, warped, twisted, or tapered. Lower the boom(s) to ground level or onto block(s). Lower the boom(s) and attachment(s) to the ground before leaving the cab or operator’s station.

# GENERAL SAFETY PRECAUTIONS

## WARNING

### USE CARE WITH HYDRAULIC FLUID PRESSURE

Hydraulic fluid under pressure can penetrate the skin and cause serious injury or death. Hydraulic leaks under pressure may not be visible. Before connecting or disconnecting hydraulic hoses, read your operating machines operator's manual for detailed instructions on connecting and disconnecting hydraulic hoses or fittings.

- Keep unprotected body parts, such as face, eyes, and arms as far away as possible from a suspected leak. Flesh injected with hydraulic fluid may develop gangrene or other permanent disabilities. Wear safety glasses, protective clothing, and use a sound piece of cardboard or wood when searching for hydraulic leaks. **DO NOT USE YOUR HANDS**
- If injured by injected fluid, see a doctor at once. If your doctor is not familiar with this type of injury, ask him to research immediately to determine proper treatment.

## WARNING

### DO NOT MODIFY MACHINE OR ATTACHMENTS

Modifications may weaken the integrity of the attachment and may impair the function, safety, life and performance of the attachment. When making repairs, use only the manufacturer's genuine parts, following authorized instructions. Other parts may be substandard in fit and quality. For loaders, never modify any ROPS (Roll Over Protection System) equipment or device.

**!!!Any modifications must be authorized in writing by Werk-Brau or the manufacturer!!!**

## DANGER

## NOTICE

### SAFELY OPERATE THE EQUIPMENT

Do not operate equipment until you are completely trained by a qualified operator in how to use the controls, know its capabilities, dimensions, and all safety requirements.

See your operating machines manual for these instructions.

- Keep all step plates, grab bars, pedals, and controls free of dirt, grease, debris, and oil.
- Be sure that all bystanders are out of harms way when operating.
- Do not allow riders on the attachment or operating machine
- Do not operate the equipment from anywhere other than the correct operators position.
- Never leave equipment unattended with the engine running or with this attachment in a raised position.
- Do not alter or remove any safety feature from the operating machine or this attachment.
- Know your work site safety rules as well as traffic rules and flow. When in doubt on any safety issue, contact your supervisor or safety coordinator for an explanation.



### SAFELY MAINTAIN AND REPAIR EQUIPMENT

- Do not wear loose clothing, or any accessories that can catch in moving parts. If you have long hair, cover or secure it so that it does not become entangled in the equipment.
- Work on a level surface in a well-lit area.
- Use properly grounded electrical outlets and tools.
- Use the correct tool for the job at hand. Make sure tools are in good condition.
- Wear all protective equipment specified by the tool manufacturer.

# OPERATING PRECAUTIONS

## WARNING

### **DO NOT IMPROPERLY USE THIS ATTACHMENT**

This grip is designed to couple attachments and not for any other use.

## DANGER

### **BE AWARE OF SURROUNDING UTILITIES**

Operator must be aware of all utility line and overhead electrical lines. Operations must be able to clear all lines safely.

## NOTICE

## DANGER

### **BE AWARE OF OVERHEAD DANGER**

Operator must be aware of all possible overhead dangers that are within the range of motion of the operating machine.

## WARNING

### **DO NOT OPERATE WITH A LOOSE ATTACHMENT**

Visually check the coupler to verify attachments are secure and lock is fully engaged and that the center to center of the attachment matches the up with the attachment.

## WARNING

### **PINCH POINTS**

Personal injury could result from the careless misuse of this attachment. Keep hands and body parts clear of the attachment when it's in the process of hooking up to an attachment. Be sure the machine is off and the attachment is on the ground prior to making adjustments.



# TABLE OF CONTENTS

P.O. Box 545 Findlay, Ohio 45839-0545

1-800-537-9561 *phone*

419-422-7207 *fax*

**Werk-Brau.com**

TITLE	PAGE
Introduction	6
Overview	6
Warranty Info	8

If at any time in the future, you require additional information on this product or any aspects of its use, please do not hesitate to contact Werk-Brau Co., Inc.

# Introduction

## THANK YOU FOR YOUR PURCHASE

You have received a high quality, extremely versatile attachment that will increase your machine's capability. This product will help you manipulate material and debris. With inspections and proper care, your attachment will last you a long time in a rugged environment.

## TELL US WHAT YOU THINK

Werk-Brau would like what you think about its products. Please visit our website & share your experience with us!

# Overview

Your Jig Boom will help you lift and carry loads more effectively. The Jig is equipped with a quick lifting eye so that you can loop a chain or loop quickly. Consult the load chart below and the decal on the attachment. NEVER exceed your machine's lifting capabilities.

JIB BOOM		MAX CAPACITY AT EXTENSION POINTS					Decal Part Number
		A	B	C	D	E	D-WBBMBH
WBBMBH	DISTANCE (in.)	72	84	96	108	N/A	
	MAX CAP. (lbs)	4,000	3,333	2,667	2,000	N/A	
JIB BOOM		MAX CAPACITY AT EXTENSION POINTS					Decal Part Number
		A	B	C	D	E	D-WBBM1
WBBM1	DISTANCE (in.)	84	96	108	120	132	
	MAX CAP. (lbs)	6,000	5,250	4,500	3,750	3,000	
JIB BOOM		MAX CAPACITY AT EXTENSION POINTS					Decal Part Number
		A	B	C	D	E	D-WBBM4
WBBM4	DISTANCE (in.)	96	108	120	132	144	
	MAX CAP. (lbs)	11,000	9,925	8,850	7,775	6,700	
JIB BOOM		MAX CAPACITY AT EXTENSION POINTS					Decal Part Number
		A	B	C	D	E	D-WBBM5
WBBM5	DISTANCE (in.)	108	120	132	144	156	
	MAX CAP. (lbs)	13,000	11,875	10,750	9,625	8,500	

**ABOUT WERK-BRAU** Since 1947, Werk-Brau has manufactured the highest quality and most innovative specialty products for the heavy equipment industry. Werk-Brau is respected internationally for providing outstanding customer service and being dedicated to excellence in all aspects of our business. Duke Werkheiser and Dutch Brautigan, for whom the company is named after, first opened their blacksmith shop in Findlay Ohio. Still today Werk-Brau manufactures and produces in Findlay Ohio, in a state of the art facility.

Over the decades Werk-Brau has grown and become so much more than a simple blacksmith operation. Today Werk-Brau proudly employs an industry leading team of professionals who work hard to follow the vision set by the founders of Werk-Brau to "Provide Excellence in Customer Service". As a modern company Werk-Brau is efficient, high-tech, dedicated to its customers, and deeply proud of the quality of products manufactured.

Werk-Brau manufactures a complete line of O.E.M. and replacement attachments for excavators, mini excavators, backhoes, mini and full size loaders and crawler loaders. All over the world Werk-Brau attachments can be found hard at work in the toughest of conditions.

**THANK YOU FOR YOUR PURCHASE!**

**WORK SAFE**

To learn more about your Warranty  
please visit:  
**<http://www.werk-brau.com/warranty-claims>**

To file a Warranty Claim  
please visit:  
**<http://www.werk-brau.com/warranty-claims/form>**

Or Call:  
**1-800-537-9561**



# **TOUGH JOBS DEMAND TOUGH ATTACHMENTS**



**WERK-BRAU CO.  
INC.,**

2800 Fostoria Rd  
P.O. Box 545  
Findlay, Ohio 45839

**1-800-537-9561** *phone*

**419-422-7207** *fax*

**Werk-Brau.com**