

# SPRING LOADED MANUAL COUPLER

## RECOMMENDED APPLICATIONS:

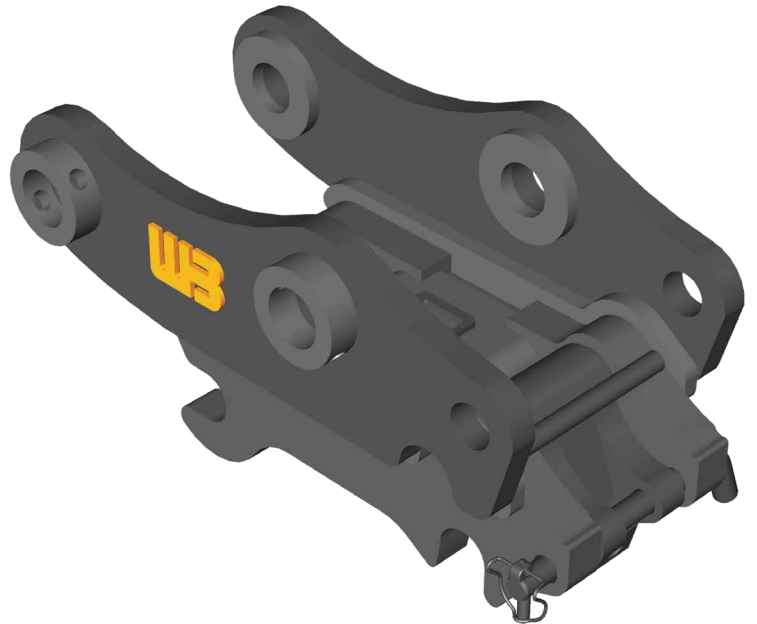
Werk-Brau offers a complete range of manual couplers for all major brands and most machines. Werk-Brau's couplers are known for their tough build, versatility for pairing with any brand of attachments, safety features, tight lock, and ease of operator use. The Werk-Brau spring loaded manual coupler will work with any attachment from any manufacturer meeting OEM fit-up specifications. Each coupler features a heavy duty lift loop on the top hangers.

## QUALITY CONSTRUCTION:

Werk-Brau manufactures the coupler using the highest quality T-1 steel in all critical or high wear components to ensure that this coupler has a long operating life. Werk-Brau's couplers are constructed using a solid one piece, front cross member which provides more wear service than most other competitive couplers available. A heavy duty lift loop is featured on the top hangers. Spring loaded manual couplers feature adjustable springs.

## SAFETY PIN NOTICE:

Never operate a Werk-Brau coupler without it's approved safety pin in place. For additional information, please review the owners installation manual for this coupler. Additional, or replacement safety pins maybe ordered through a Werk-Brau Dealer.



CONTINUED ON NEXT PAGE

# SPRING LOADED MANUAL COUPLER

## SPRING LOADED MANUAL COUPLER

MACHINE CLASS	PART NUMBER	TYPE	STYLE	WEIGHT
04 & 05	QT-04MN	Straight	Pull Pin	50
05 & 76	SLQT-05MN	Straight	Spring Loaded	60
05 & 76	SLQT-05MN-CC	Combo	Spring Loaded	60
1 & 15	SLQT-1MN	Straight	Spring Loaded	110
1 & 15	SLQT-1MN-CC	Combo	Spring Loaded	110
2	SLQT-2MN	Straight	Spring Loaded	190
2	SLQT-2MN-CC	Combo	Spring Loaded	190
3, 4, U1 & U2	SLQT-3MN	Straight	Spring Loaded	200
3, 4, U1 & U2	SLQT-3MN-CC	Combo	Spring Loaded	200
5	SLQT-5MN	Straight	Spring Loaded	250
5	SLQT-5MN-CC	Combo	Spring Loaded	250