

# SKELETON ROCK BUCKET

## RECOMMENDED APPLICATIONS:

Excellent for quarry work, design allows for sifting of loose debris to fall through to keep material load to minimum.

## QUALITY CONSTRUCTION:

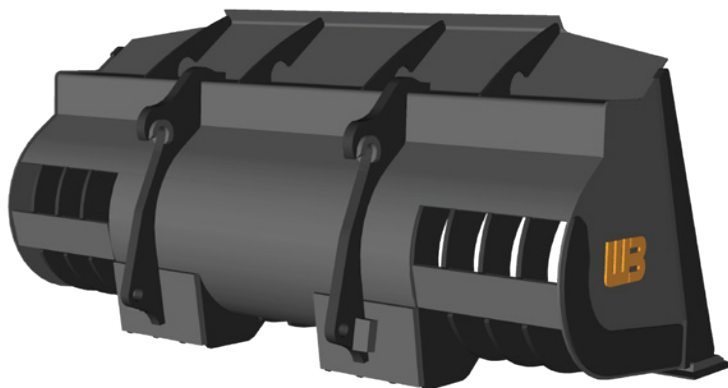
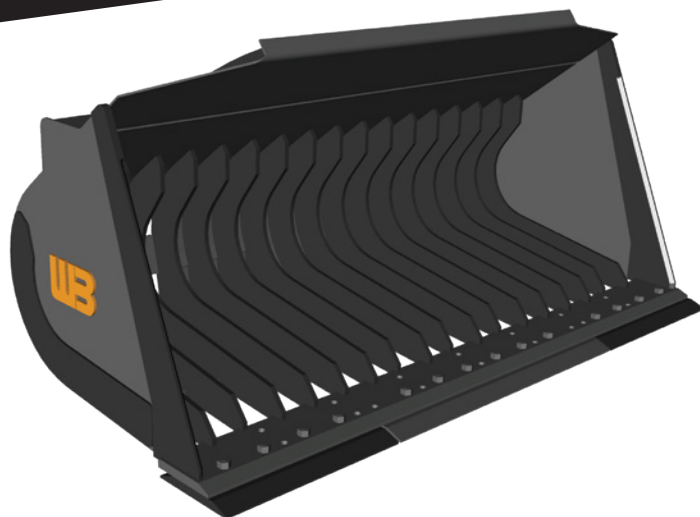
High strength steel construction for durability and long wear. Each bucket is engineered with tapered side plates to reduce wear on the buckets sides, and to allow for easier dumping.

## STANDARD SIZES:

2.75 cu. yd. to 7.0 cu. yd. of various widths available. Special designs or desired tine spacing is available upon request.

## ADDITIONAL FEATURES:

Available with Werk-Brau front coupler or pin-up connection.



## SKELETON ROCK BUCKETS

| LOADER CLASS | PART NUMBER      | BUCKET WIDTH | EDGE LENGTH | RIB SPACING | CAPACITY STRUCK | CAPACITY RATED | WEIGHT |
|--------------|------------------|--------------|-------------|-------------|-----------------|----------------|--------|
| 1            | WL1SKL100-2.00   | 100"         | 102"        | 5"          | 1.69            | 2.00           | 2,050  |
| 2            | WL2SKL100-2.50   | 100"         | 102"        | 5"          | 2.17            | 2.50           | 2,400  |
| 3            | WL3SKL100-3.00   | 100"         | 102"        | 5"          | 2.54            | 3.00           | 2,900  |
| 3.5          | WL3.5SKL105-3.50 | 105"         | 108"        | 5"          | 2.97            | 3.50           | 3,600  |
| 4            | WL4SKL117-4.50   | 117"         | 119"        | 5"          | 3.81            | 4.50           | 4,250  |
| 5            | WL5SKL124-5.50   | 124"         | 126"        | 5"          | 4.60            | 5.50           | 6,900  |