



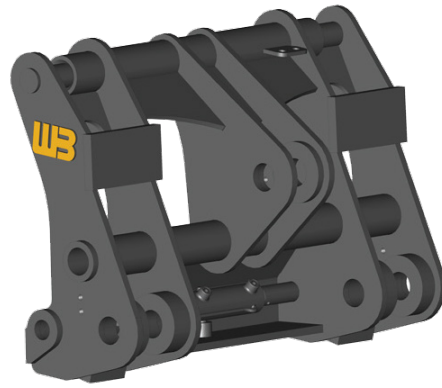
**WB**<sup>®</sup>  
WERK-BRAU

WHEEL  
LOADERS

# LOADER COUPLER

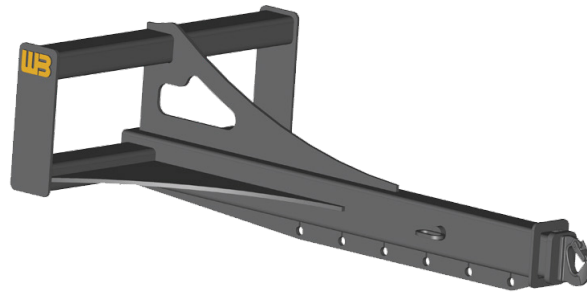
Hydraulic & Mechanical

- + Designed to quickly & easily change attachments
- + Enables the operator to utilize various attachments on a single job
- + Available in a variety of styles
  - JRB, ISO (Hi-Viz), CAT IT, ACS, Tool master, and others



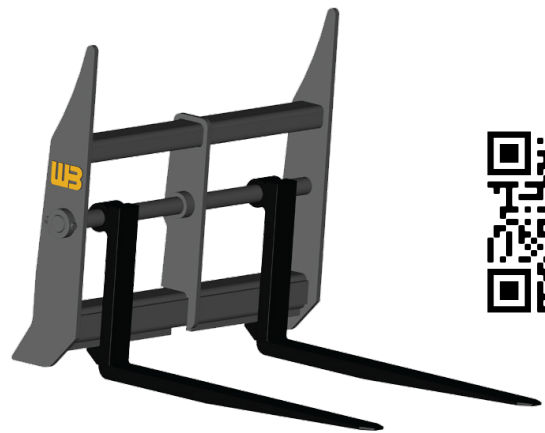
# JIB BOOM

- + Long reach material handling
- + Eliminates need of overhead or mobile crane
- + Handles pipe & more
- + Can be fixed length or extendable



# MANUAL ADJUSTABLE FORKS

- + Removal or displacement of pallets with or without load
- + May also be used for pipe or lumber stacks
- + Any materials that need to be moved, carried or picked up
- + Newly redesigned carriage with integrated fork positioning lock requiring no tools



# OIL FIELD FORKS

- + Removal or displacement of pallets with and without load
- + Moving various types of pipe
- + Low-profile design for maximum visibility
- + Tines are manually adjustable
- + 10,000 lbs. Lift capacity at 24-inch load center



## SNOW PUSHER

- + Rugged enough to remove old piles of snow that have been impacted with ice
- + Ideal for soft or hard snow
- + Parking lot cleaning
- + Best used in:
  - Gas stations
  - Airports
  - Storage facilities
  - Any area to prevent snow wind rowing
  - Hospitals



## LOG SORTING GRAPPLE

- + Efficient log handling
- + Transporting large pipe
- + Short tines designed for easy loading / unloading
- + Optional replaceable teeth available
- + Dual heavy duty cushioned cylinders
- + Heavy logging mill applications



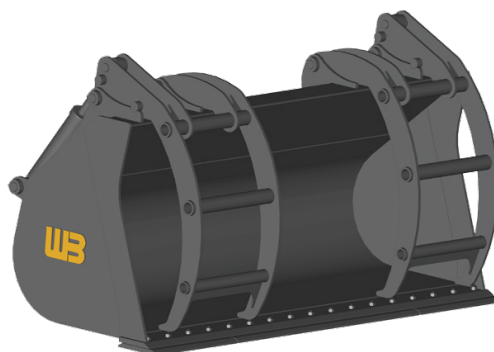
## WISHBONE GRAPPLE LOADER FORKS

- + Designed for handling logs & lumber on uneasy terrain
- + Available in pin-on or coupler
- + Floating forks standard for working on non-level terrain
- + Upsized forks for heavy duty loads
- + Cushion cylinders standard



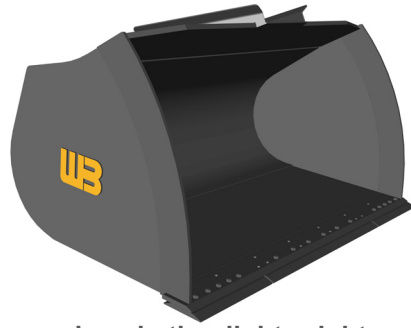
## GRAPPLE BUCKET

- + Specifically designed for versatility
- + Applications:
  - Backfilling
  - Metal scrap removal
  - Refuse
  - Light cumbersome material
  - Brush
  - 4 Grapple styles available
- + Dual-paddle grapple design standard
- + Dual heavy duty cushioned cylinders
- + Scalloped (open) side plates optional
- + Rubber edge optional



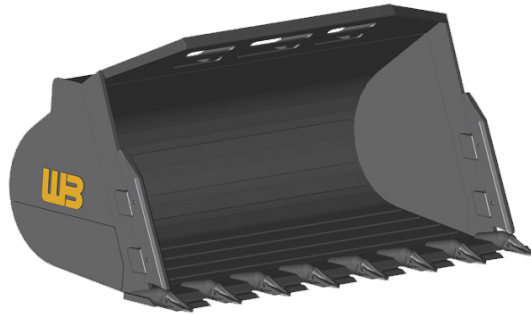
# HIGH-PERFORMANCE LIGHT MATERIAL BUCKET

- + Light material design with enhanced high-performance profile
- + Ideal for material up to 2,000 lb/cy
- + Curved side plates & increased roll back angle allow for greater material retention
  - 5%+ greater material retention
- + Ideal for fertilizer & feed applications to prevent spillage
- + Designed for handling materials such as corn, silage, hay, cottonseed, and other lightweight materials
- + Flat to reduce loading force



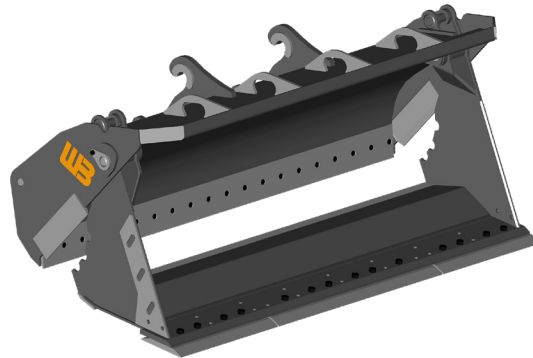
# SEVERE DUTY ROCK BUCKET

- + Handles material greater than 2.0 cu yd
- + Spade lip and straight lip design available
- + Applications:
  - Handling loose rock
  - Digging in severe duty applications
- + Slotted spill guard for better viewing
- + Includes internal double bottom



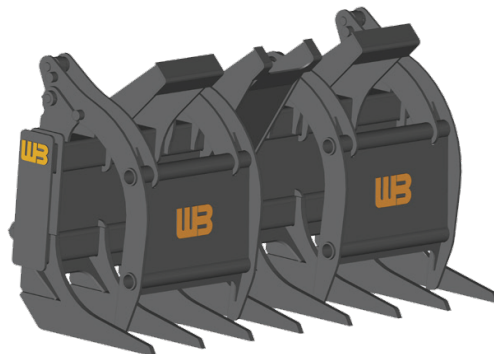
# QUAD (4-IN-1) BUCKET

- + Designed for multiple job applications
- + 90 degrees clamping rotation
- + Job applications can be defined to, but not limited to:
  - Dozing, grappling, material handling, light grading, back dragging, back filling, land clearing & high dumping
- + With vast variety of applications this bucket can be one of the most versatile attachments on any job site



# GRAPPLE RAKE

- + Designed for versatility
- + Applications:
  - Clearing (land)
  - Metal scrap removal
  - Brush
  - Tires
  - Refuse
  - Clean up
  - Light cumbersome material



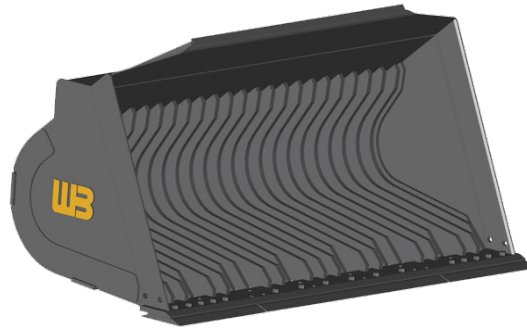
# TRASH LOADER BUCKET

- + Designed to push loads along the floor to a hole or hopper – feeds to hauler or processing machine
- + Heavier duty design to withstand daily use on concrete
- + Visibility slots come standard to help improve operator's line of sight
- + Bucket design has high volume for its size to push material rather than load/carry
- + Rubber cutting edge is optional
- + Also available in a "push style / transfer station" profile for strictly pushing, not loading material



# SKELETON ROCK BUCKET

- + Specifically designed to allow for sifting of loose debris to keep material loader to minimum
- + Excellent for quarry use
- + High strength steel construction for durability & long wear
- + Available for both coupler & pin-on configuration
- + Custom widths & rib spacing available



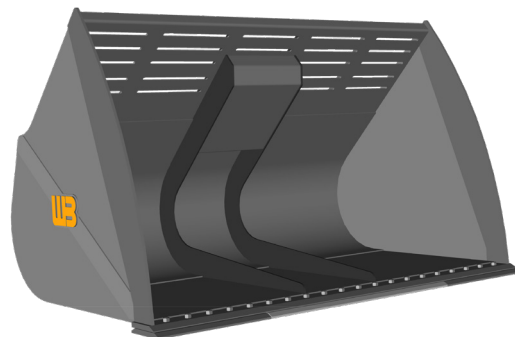
# HIGH-PERFORMANCE GENERAL PURPOSE BUCKET

- + Enhanced high-performance profile
- + Designed for general purpose applications with material densities up to 3,200 lb/cy
- + Performance side plates & increased roll back angle allow for greater material retention
  - 5%+ greater material retention
- + Tapered floor to reduce wear & easier dumping
- + Integrated spill guard



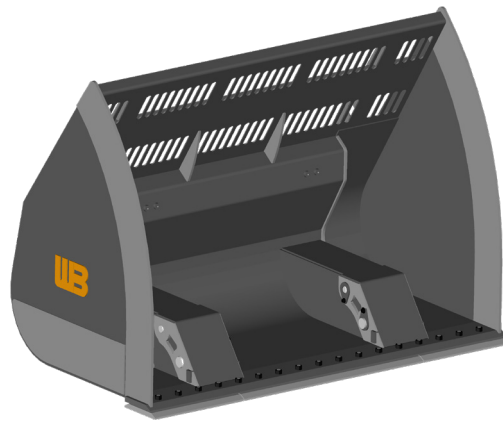
# WOODCHIP LOADER BUCKET

- + Designed for extra light material <1,200 lbs.
- + Curved performance side plates
- + Visibility slots in spill guard
- + Large center ribs and side plate brace
- + Z-bar linkage / bell crank cut out standard
- + Up to 15 cu yd capacity (class 5.0-7.0 yd loader)



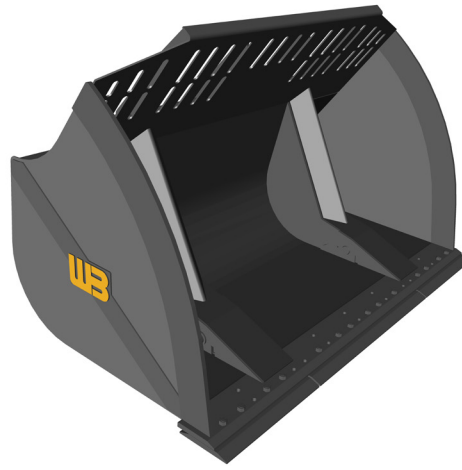
## HIGH TIP / ROLL-OUT BUCKET

- + Designed for increased dump height 24”+
- + Perfect for backfilling or loading trucks
- + Designed for light material <2,000 lbs
- + Recessed carriage design to improve center of gravity which reduces stress on the loader and bucket
- + Visibility slots standard
- + Dual cushioned cylinders
- + Performance side plates for increased material retention



## HIGH TIP/ ROLL OUT BUCKET VERTICAL CYLINDERS

- + Recessed carriage for better machine performance and stability
- + Over 90-degree dump angle
- + Dual cylinder for better bucket control
- + Cushioned cylinders for decreased machine wear
- + Boxes less abrupt in flow of bucket helping with bucket fill
- + Approx. 10% lighter than horizontal cylinder design
- + Better control of dump action because of cylinder mechanism



## EJECTOR / PUSH-OUT LOADER BUCKET

- + “Push material out”
- + Ideal for high dump heights while reducing feeding overages
  - Increase dump height by 24”+
- + Perfect for dairy / feed applications
- + Eliminates need for rapidly shaking the bucket
- + Less stress on loader arms and bucket
- + Controlled feathering reduces material waste and increases load-out accuracy
- + Prevents “dump” cycle time
- + Rubber skirting keeps bucket clean after every dump

