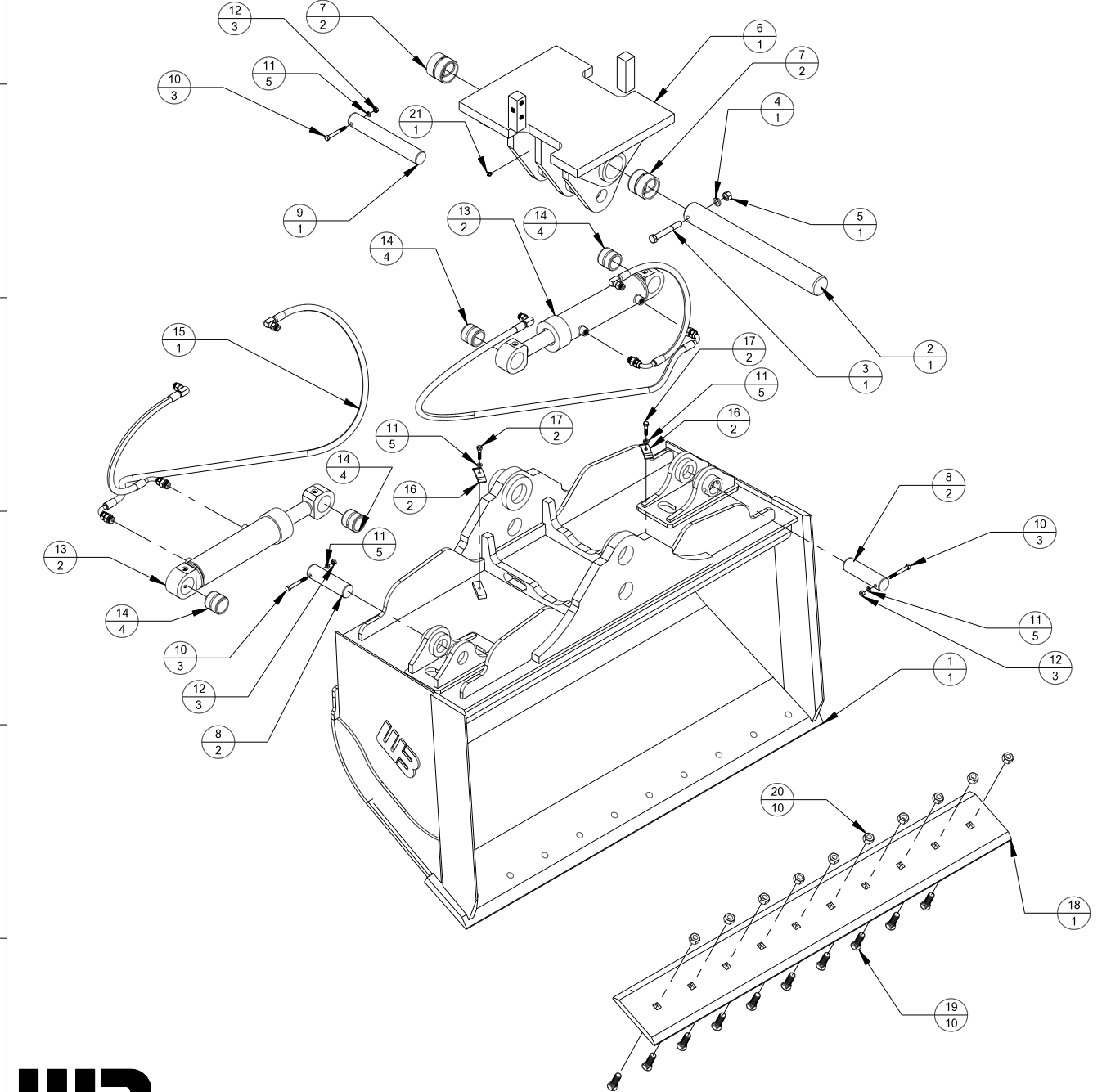


ECO	REV	DATE	CHANGE DESCRIPTION	BY	CHECKED
-	A	12/10/14	RELEASED TO PRODUCTION	JAS	-
-	B	1/18/16	UPDATE TO NEW TILT TOP/ PARTS	JAS	-
568	C	2/24/20	UPDATE TO CORRECT TILT TOP	AJZ	-
-	D	10/23/20	UPDATED ITEMS 3, 5 & 6 / INCORRECT HARDWARE & PIN CAP	AJZ	-
-	E	7/6/22	UPDATED TO NEW DESIGN / UPDATED TO NEW PIVOT PIN / REMOVED OLD LINES	JGM	-

ENGINEERING NOTES:

METRIC  
X ± 1.50  
X.X ± 0.80  
X.XX ± 0.25  
ANGLE ± 0.5°  
NOT TO SCALE



### WTB60-1.02 PACKLIST

#	DESCRIPTION	PART NUMBER	AMT
1	WELDED ASSEMBLY	WTB60-1.02 (B/S)	1
2	PIVOT PIN	PIN-0484	1
3	5/8"-11 x 4-1/2" BOLT	13321	1
4	5/8" LOCKWASHER	33630	1
5	5/8"-11 HEX NUT	36314	1
6	TILT TOP	TIB-TI-11 (B/S)	1
7	PIVOT BUSHING	EZG-BU-300-65	2
8	CYLINDER PIN	TIB-CP-06	2
9	CYLINDER PIN	TIB-CP-07	1
10	3/8"-16 X 3" BOLT	13115	3
11	3/8" LOCKWASHER	33622	5
12	3/8"-16 HEX NUT	36306	3
13	CYLINDER	500010209	2
14	CYLINDER BUSHINGS	QBWL-BC-4	4
15	HOSE KIT	TIB-HK-3	1
16	HOSE CLAMP	D143846	2
17	3/8"-16 X 1-1/4" BOLT	13107	2
18	BOLT ON CUTTING EDGE	X310063	1
19	3/4" X 2-1/2" PLOW BOLTS	22707	10
20	3/4"-10 HEX NUTS	36316	10
21	GREASE ZERK	60102	1
22	-	-	-
23	-	-	-
24	-	-	-
25	-	-	-
26	-	-	-
27	-	-	-
28	-	-	-
29	-	-	-



FILE NAME: WTB60-1.02.CKD	<b>E</b>
DESCRIPTION: PACKLIST	
WEIGHT: 1715 lbs.	REVISION
DRAWN: JGM	DATE: 12/10/14