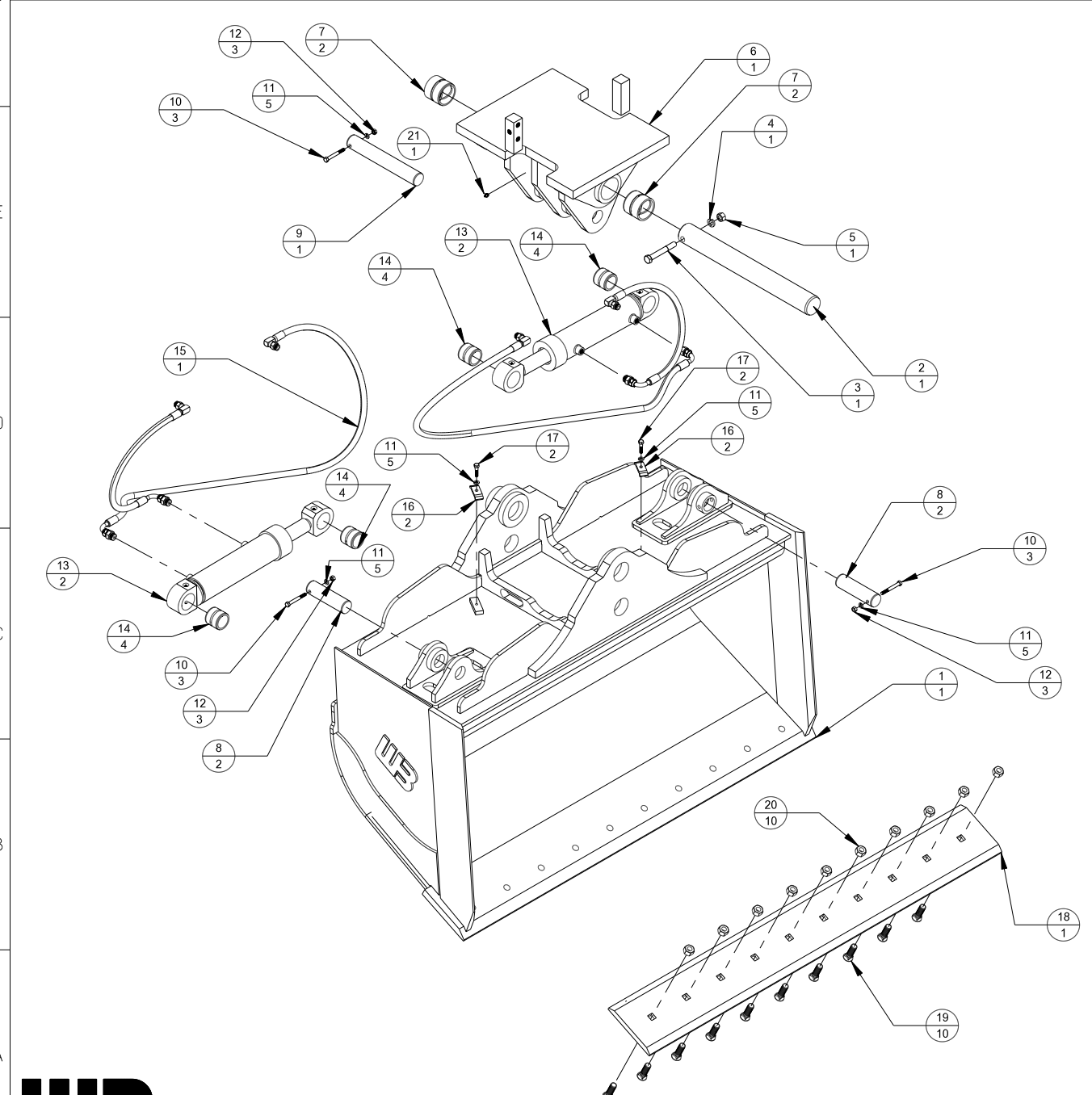


| ECO | REV | DATE | CHANGE DESCRIPTION | BY | CHECKED | ENGINEERING NOTES: |
|-----|-----|----------|--|-----|---------|--------------------|
| - | A | 12/10/14 | RELEASED TO PRODUCTION | JAS | - | - |
| - | B | 1/18/16 | UPDATE TO NEW TILT TOP/ PARTS | JAS | - | |
| - | C | 12/2/20 | UPDATED TO CORRECT TILT TOP | AJZ | - | |
| - | D | 7/6/22 | UPDATED TO NEW DESIGN / UPDATED TO NEW PIVOT PIN / REMOVED OLD LINES | JGM | - | |

METRIC
X ± 1.50
X.X ± 0.80
X.XX ± 0.25
ANGLE ± 0.5°
NOT TO SCALE



WTB66-1.12 PACKLIST

| # | DESCRIPTION | PART NUMBER | AMT |
|----|--------------------------|------------------|-----|
| 1 | WELDED ASSEMBLY | WTB66-1.12 (B/S) | 1 |
| 2 | PIVOT PIN | PIN-0484 | 1 |
| 3 | 5/8"-11 x 4-1/2" BOLT | 13321 | 1 |
| 4 | 5/8" LOCKWASHER | 33630 | 1 |
| 5 | 5/8"-11 HEX NUT | 36314 | 1 |
| 6 | TILT TOP | TIB-TI-11 (B/S) | 1 |
| 7 | PIVOT BUSHING | EZG-BU-300-65 | 2 |
| 8 | CYLINDER PIN | TIB-CP-06 | 2 |
| 9 | CYLINDER PIN | TIB-CP-07 | 1 |
| 10 | 3/8"-16 X 3" BOLT | 13115 | 3 |
| 11 | 3/8" LOCKWASHER | 33622 | 5 |
| 12 | 3/8"-16 HEX NUT | 36306 | 3 |
| 13 | CYLINDER | 500010209 | 2 |
| 14 | CYLINDER BUSHINGS | QBWL-BC-4 | 4 |
| 15 | HOSE KIT | TIB-HK-3 | 1 |
| 16 | HOSE CLAMP | D143846 | 2 |
| 17 | 3/8"-16 X 1-1/4" BOLT | 13107 | 2 |
| 18 | BOLT ON CUTTING EDGE | X310063 | 1 |
| 19 | 3/4" X 2-1/2" PLOW BOLTS | 22707 | 10 |
| 20 | 3/4"-10 HEX NUTS | 36316 | 10 |
| 21 | GREASE ZERK | 60102 | 1 |
| 22 | - | - | - |
| 23 | - | - | - |
| 24 | - | - | - |
| 25 | - | - | - |
| 26 | - | - | - |
| 27 | - | - | - |
| 28 | - | - | - |
| 29 | - | - | - |



| | |
|--------------|----------------|
| FILE NAME: | WTB66-1.12.CKD |
| DESCRIPTION: | PACKLIST |
| WEIGHT: | 1800 lbs. |
| DRAWN: | JGM |
| DATE: | 12/10/14 |
| REVISION: | D |